

PRODUCT ID: 8287

Outdoor Blank-out LED Direct-view Sign

MODEL

TCL77DAA-224H

DIMENSIONS

7" H x 7" W x 5.5" D (est. 5.823 lbs)

CLASS

CLASS: TCL Series

Control Method: Switch (not included) or external relay.

CONSTRUCTION

Cabinet: Corrosion resistant, extruded aluminum frame. 5.5" deep, mitered construction.

Face Material: Injection molded, impact resistant Lexan® hood with Lexan® lenses

Faces: Double Faced Sign

Finish: Duranodic Bronze

Mounting Channel:

ELECTRICAL

Flashing: Included. 6-300 flash rate. Factory setting 55fpm. Can be disabled

Input Voltage: 120-277 VAC

UL/cUL Listed: Listed for wet locations

MESSAGE

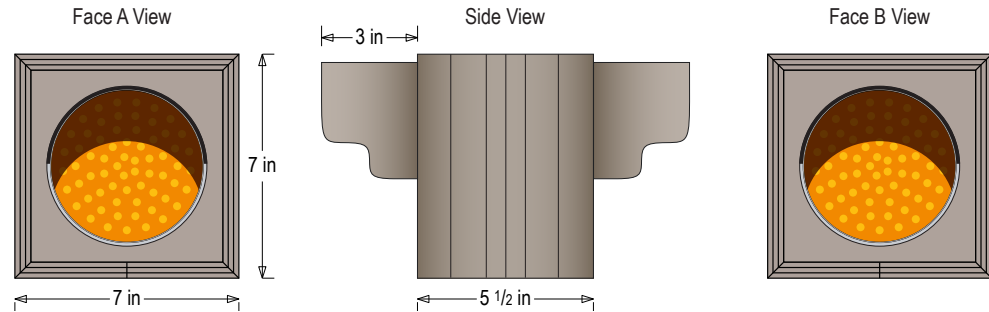
Illumination: Super bright direct view LEDs. Message blanks out when off.

Sign Messages: See message table below



Product View

NOTE: Sign image may not exactly represent the finished product. For illustration purposes only.



MESSAGE	LED/COLOR	HEIGHT	AMPS
Amber Indicator Dot	Amber Wide Angle LED	4.0"	0.033-0.014
Amber Indicator Dot	Amber Wide Angle LED	4.0"	0.033-0.014

NOTE: Above messages are independently controlled.

Directional Systems

2250 West 23rd St

Erie, PA 16506

Phone: (877) 827-8296

Fax: (877) 827-8291

Email: sales@directionalsystems.com

Website: www.directionalsystems.com

Proudly Made in the USA

Directional
Systems