

PRODUCT ID: 6649

Switch

MODEL
TG332

DIMENSIONS
4.5" H x 6.37" W x 1" D (est. 0.581 lbs)

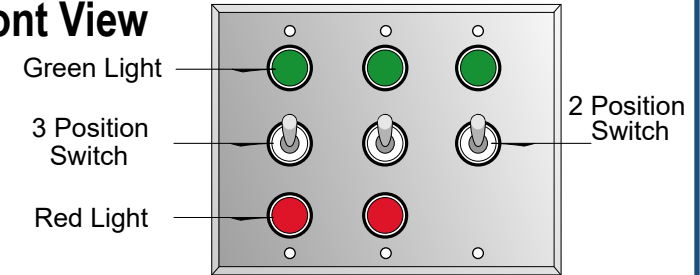
CONSTRUCTION
Finish: Switch plate brushed stainless steel
Switch: Switch with pre-wired pigtails and indicator lights
Switch plate: Stamped stainless steel pre-punched for switch(es) and indicator light(s)

ELECTRICAL
Input Voltage: 120VAC

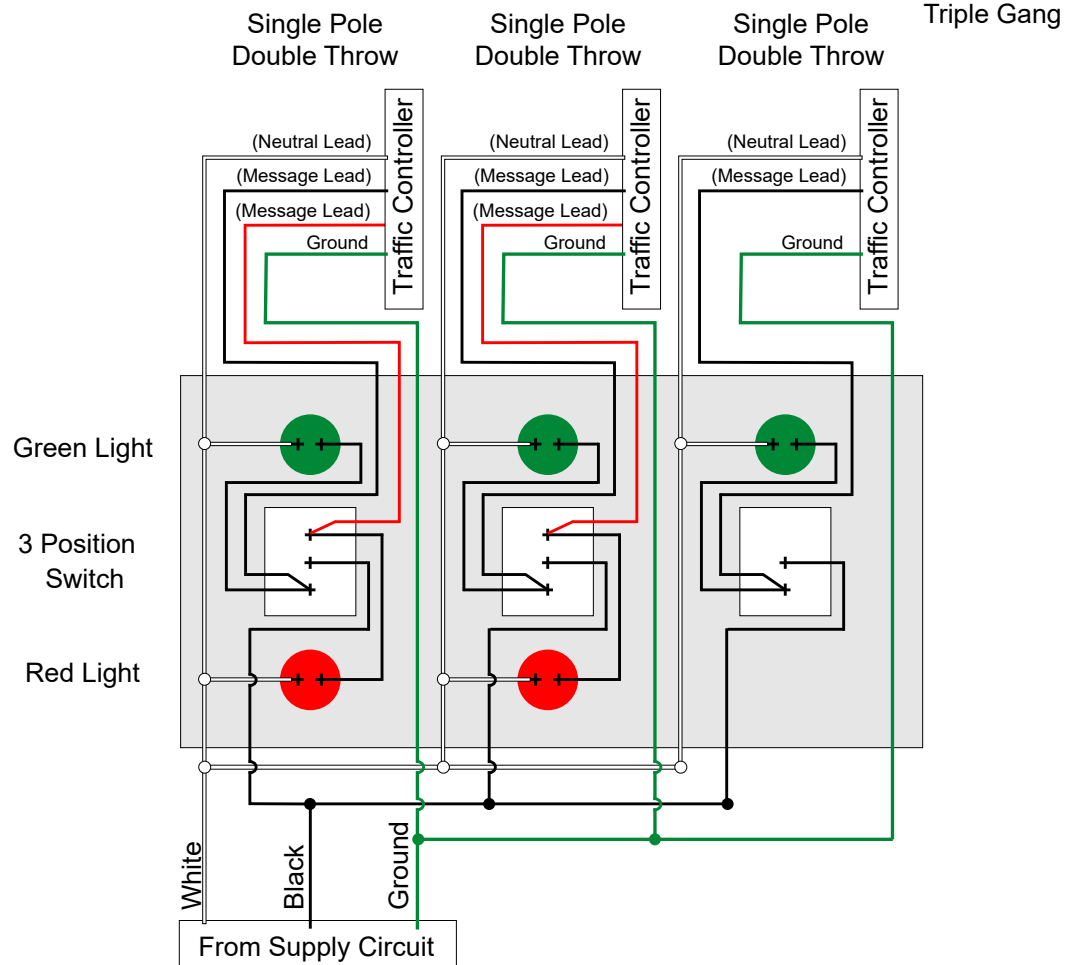
Product View

NOTE: Sign image may not exactly represent the finished product. For illustration purposes only.

Front View



Schematic View



Directional Systems
2250 West 23rd St
Erie, PA 16506
Phone: (877) 827-8296
Fax: (877) 827-8291
Email: sales@directionalsystems.com
Website: www.directionalsystems.com



Proudly Made in the USA