

PRODUCT ID: 62841

Angle Mount Bracket

MODEL

VAM-10 inch

DIMENSIONS

3" H x 10" W x 4.75" D (est. 2.875 lbs)

CONSTRUCTION

Finish: Duranodic Bronze

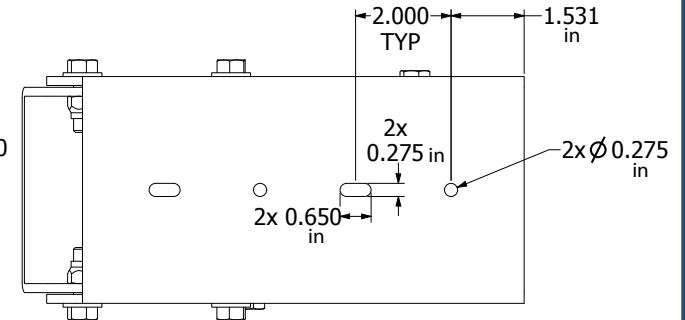
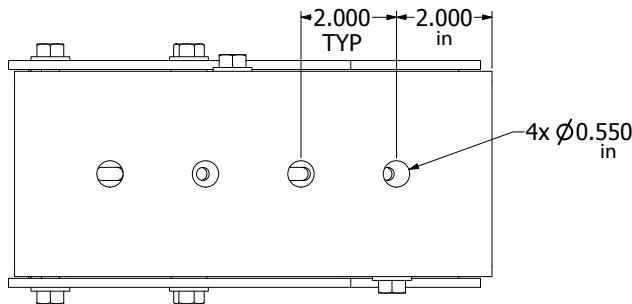
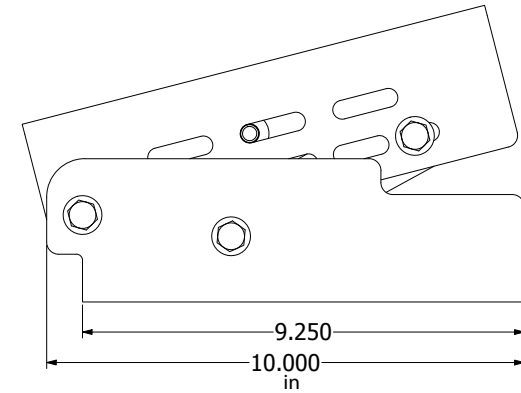
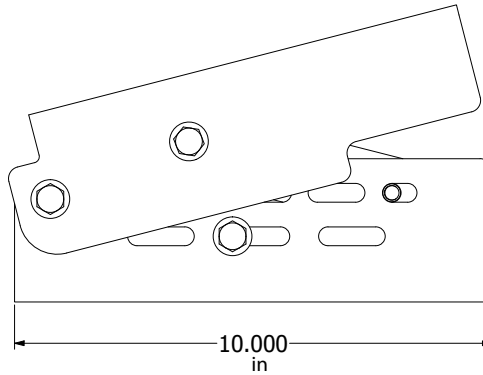
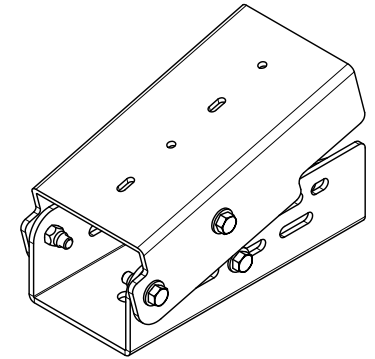
Material: Formed 3/16" Aluminum bracket w/ stainless steel hardware. Adjustable between 15-90°

INSTALLATION

Note: Variable angle, adjustable 15-90°

Product View

NOTE: Sign image may not exactly represent the finished product. For illustration purposes only.



Directional Systems

2201 W 50th St.

Erie, PA 16509

Phone: (877) 827-8296

Fax: (877) 827-8291

Email: sales@directionalsystems.com

Website: www.directionalsystems.com

