

PRODUCT ID: 52172
LED Traffic Controller

MODEL
TCILV-AA/120-277VAC



DIMENSIONS
14" H x 7" W x 6" D (est. 3.009 lbs)

CLASS
Class: TCIL Series

CLASS
Control Method: Switch (not included) or external relay.

CONSTRUCTION
Cabinet: Injection molded impact resistant polycarbonate housing and hood
Faces: Single Faced Sign
Finish: Duranodic Bronze
Lens: Left or Top: Amber Impact resistant tinted Lexan®
Lens: Right or Bottom: Amber Impact resistant tinted Lexan®

ELECTRICAL
Flashing: Not Included
Input Voltage: 120-277 VAC
UL/cUL Listed: Listed for wet locations

MESSAGE
Illumination: Super bright direct-view LEDs on replaceable circuit board.
Sign Messages: See message table below

MESSAGE	LED/COLOR	HEIGHT	AMPS
Amber Indicator Dot	Amber Wide Angle LED	4.0"	0.036-0.015
Amber Indicator Dot	Amber Wide Angle LED	4.0"	0.036-0.015

NOTE: Above messages are independently controlled.

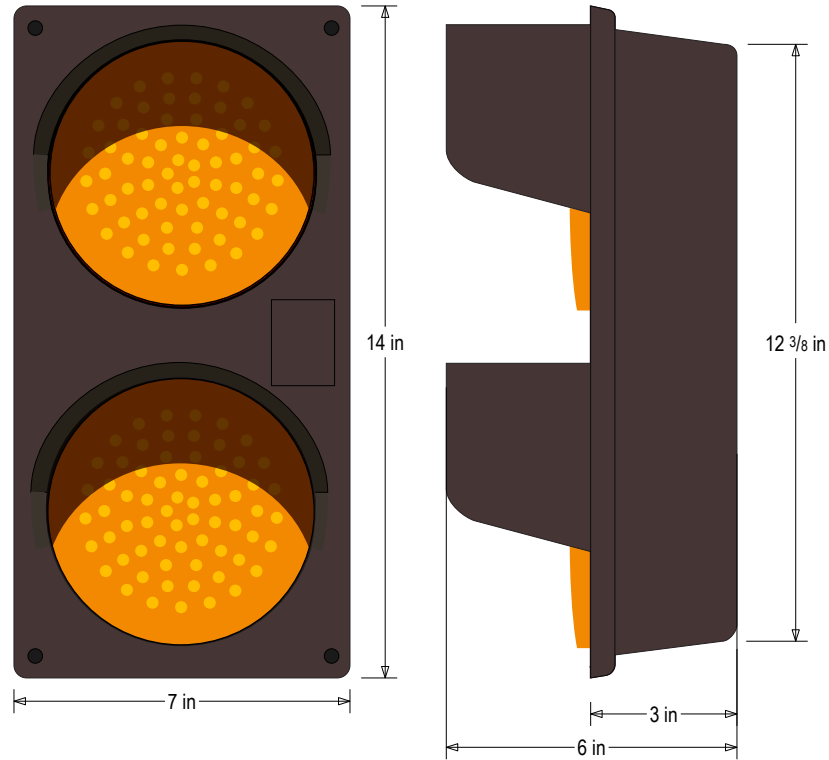
Directional Systems
2201 W 50th St.
Erie, PA 16506
Phone: (877) 827-8296
Fax: (877) 827-8291
Email: sales@directionalsystems.com



Website: www.directionalsystems.com Proudly Made in the USA

Product View

NOTE: Sign image may not exactly represent the finished product. For illustration purposes only.



Sample Display Options

