

PRODUCT ID: 47965

Universal Mount

MODEL

UNI-750

DIMENSIONS

2" H x 4" W x 4.5" D (est. 0.96 lbs)

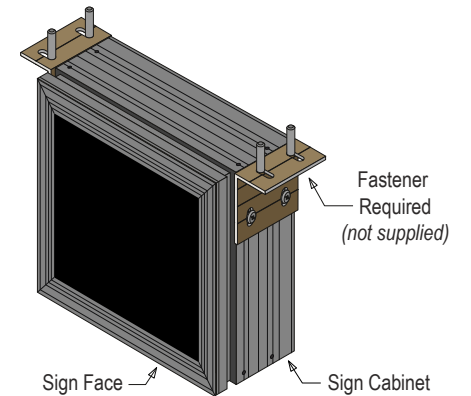
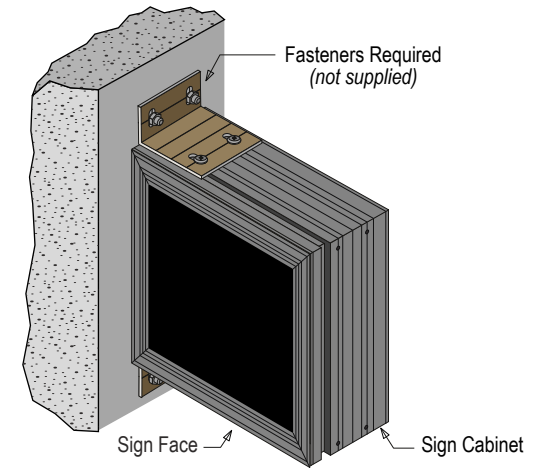
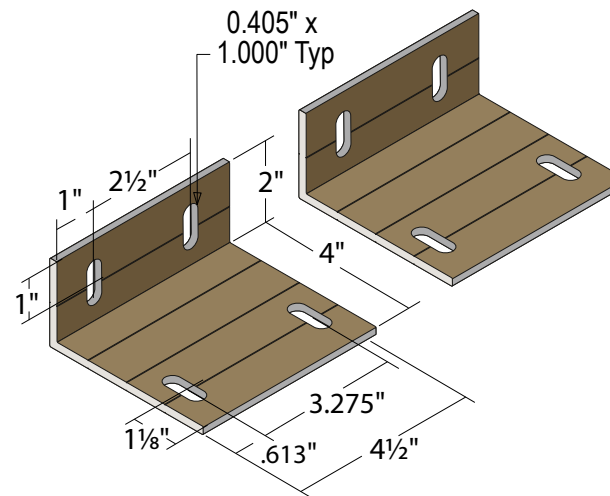
CONSTRUCTION

Finish: Duranodic Bronze

Material: 3/16" thick aluminum L-shaped bracket, pre-drilled for attachment.

Product View

NOTE: Sign image may not exactly represent the finished product. For illustration purposes only.



Directional Systems

2201 W 50th St.

Erie, PA 16506

Phone: (877) 827-8296

Fax: (877) 827-8291

Email: sales@directionalsystems.com

Website: www.directionalsystems.com

Proudly Made in the USA

Directional
Systems