

PRODUCT ID: 47949

Universal Mount

MODEL

UNI-TCL-PHX-SBL-TCIL

DIMENSIONS

2" H x 4" W x 1.5" D (est. 0.323 lbs)

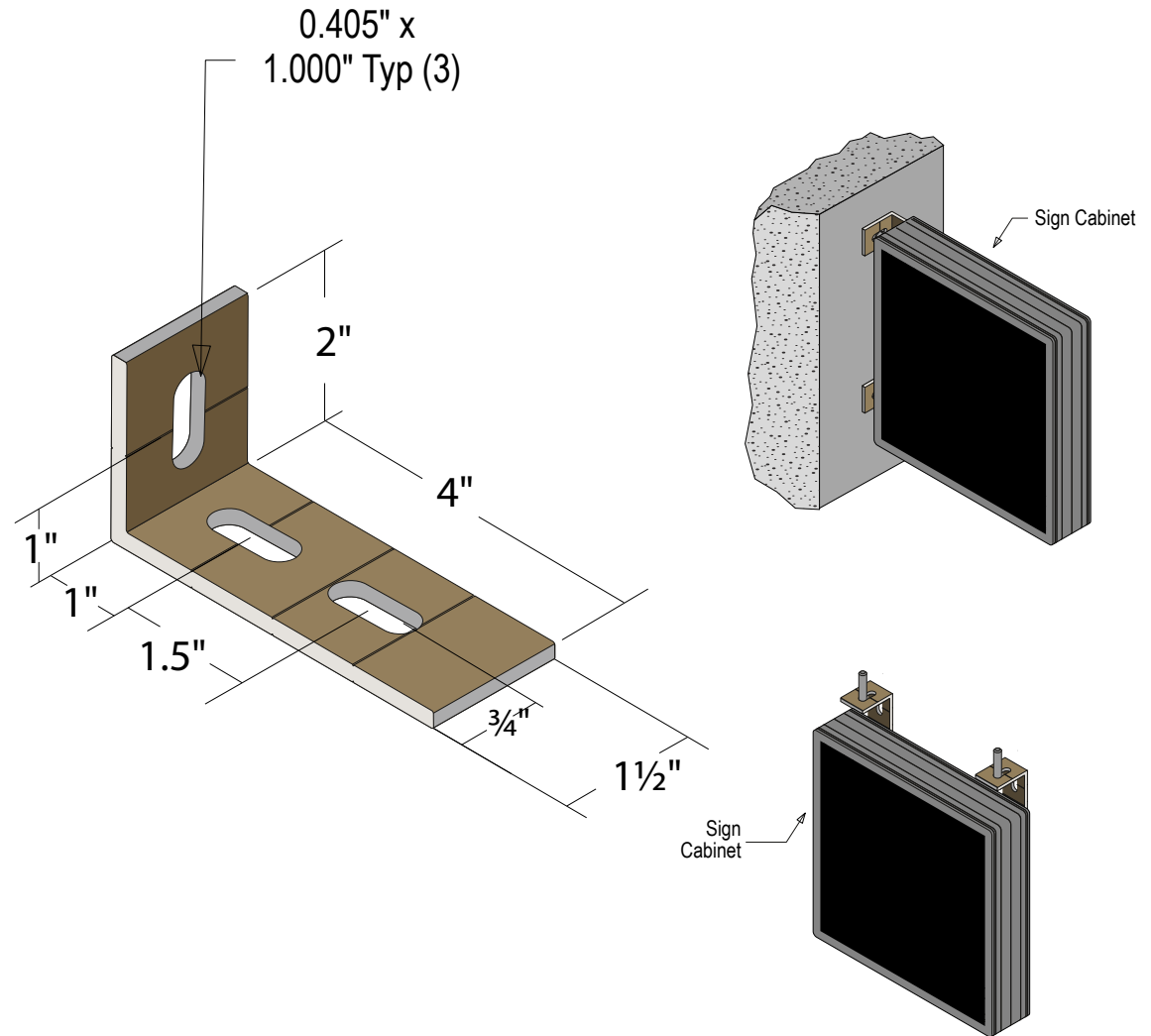
CONSTRUCTION

Finish: Duranodic Bronze

Material: 3/16" thick aluminum L-shaped bracket, pre-drilled for attachment.

Product View

NOTE: Sign image may not exactly represent the finished product. For illustration purposes only.



Directional Systems

2201 W 50th St.

Erie, PA 16509

Phone: (877) 827-8296

Fax: (877) 827-8291

Email: sales@directionalsystems.com

Website: www.directionalsystems.com

Directional
Systems