

## PRODUCT ID: 37884

### Switch

#### MODEL

SG2 SPST/277VAC

#### DIMENSIONS

4.5" H x 2.75" W x 1" D (est. 0.391 lbs)

#### CONSTRUCTION

**Finish:** Switch plate brushed stainless steel

**Switch:** Switch with indicator lights

**Switch plate:** Stamped stainless steel pre-punched for switch(es) and indicator light(s)

#### ELECTRICAL

**Input Voltage:** 277VAC

#### Directional Systems

2201 W 50th St.

Erie, PA 16509

Phone: (877) 827-8296

Fax: (877) 827-8291

Email: [sales@directionalsystems.com](mailto:sales@directionalsystems.com)

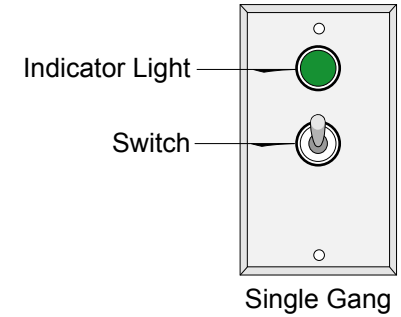
Website: [www.directionalsystems.com](http://www.directionalsystems.com)

**Directional**  
Systems

## Product View

NOTE: Sign image may not exactly represent the finished product. For illustration purposes only.

### Front View



### Schematic View

