

PRODUCT ID: 3039

Switch

MODEL

SG3 SPDT/120VAC

DIMENSIONS

4.5" H x 2.75" W x 1" D (est. 0.241 lbs)

CONSTRUCTION

Finish: Switch plate brushed stainless steel

Switch: Switch with pre-wired pigtails and indicator lights

Switch plate: Stamped stainless steel pre-punched for switch(es) and indicator light(s)

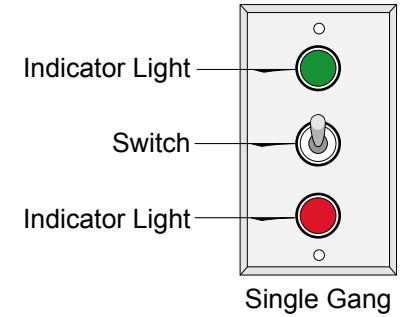
ELECTRICAL

Input Voltage: 120VAC

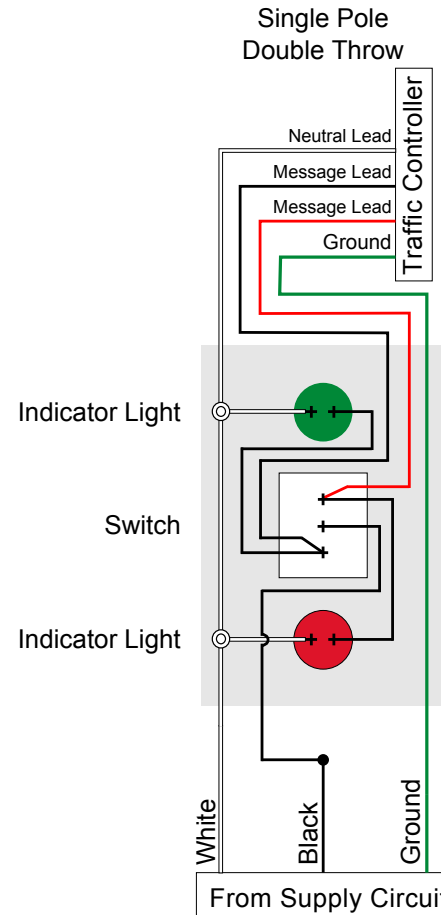
Product View

NOTE: Sign image may not exactly represent the finished product. For illustration purposes only.

Front View



Schematic View



Directional Systems

2201 W 50th St.

Erie, PA 16506

Phone: (877) 827-8296

Fax: (877) 827-8291

Email: sales@directionalsystems.com

Website: www.directionalsystems.com

Proudly Made in the USA

Directional
Systems