

## PRODUCT ID: 3022

### Recessed Frame

#### MODEL

RF77

#### DIMENSIONS

10" H x 10" W x 1.75" D (est. 1.288 lbs)

#### CONSTRUCTION

Finish: Duranodic Bronze

Material: Formed 1/8" CNC routed aluminum. Holes for mounting sign pre-drilled.

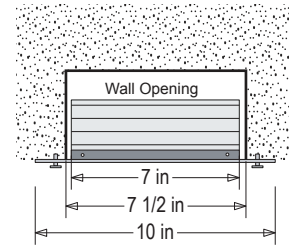
#### INSTALLATION

Note: Wall opening should be 0.5" larger than sign OD

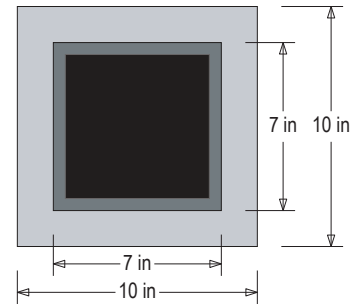
## Product View

NOTE: Sign image may not exactly represent the finished product. For illustration purposes only.

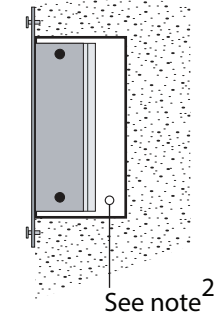
TOP VIEW



FRONT VIEW



SIDE VIEW



#### Directional Systems

2250 West 23rd St

Erie, PA 16506

Phone: (877) 827-8296

Fax: (877) 827-8291

Email: sales@directionalsystems.com

Website: [www.directionalsystems.com](http://www.directionalsystems.com)

Proudly Made in the USA

**Directional**  
Systems

Note<sup>2</sup>: Allow clearance behind sign per local code or per electrical fittings.