

PRODUCT ID: 28589

Post

MODEL

P4X4D90B

DIMENSIONS

90" H x 12" W x 12" D (est. 53.003 lbs)

CONSTRUCTION

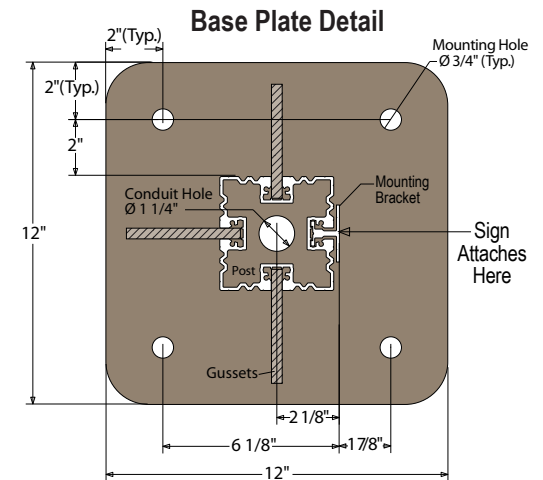
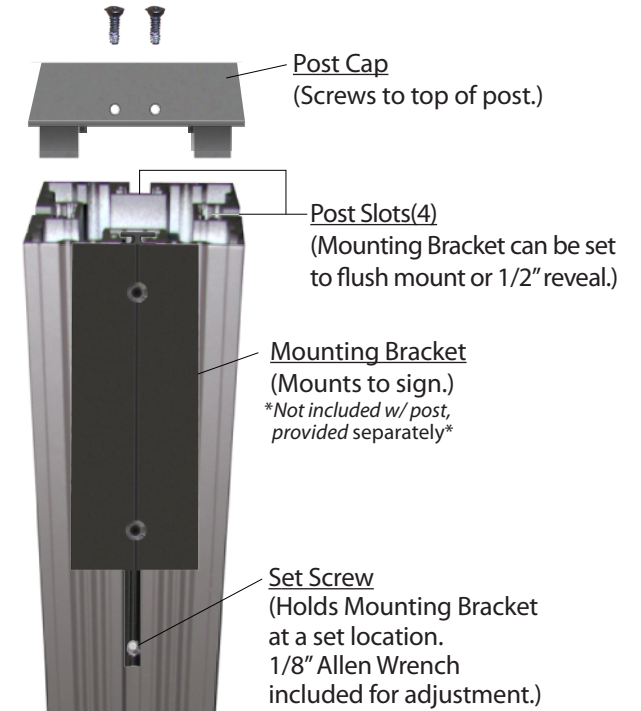
Finish: Duranodic Bronze

Material: 4"x 4" fluted extruded 6063-T6 aluminum post with a sign mounting channel on each side, one end cap and 12" sq. welded base plate. Base plate is a 3/8" thick aluminum plate with pre-drilled anchoring holes and four 4" high welded gussets.

Modular Post:

Product View

NOTE: Sign image may not exactly represent the finished product. For illustration purposes only.



Directional Systems

2201 W 50th St.

Erie, PA 16509

Phone: (877) 827-8296

Fax: (877) 827-8291

Email: sales@directionalsystems.com

Website: www.directionalsystems.com

Directional
Systems