

PRODUCT ID: 2495

Switch

MODEL

EG SPDT/120VAC

DIMENSIONS

4.5" H x 15.5" W x 1" D (est. 2 lbs)

CONSTRUCTION

Finish: Switch plate brushed stainless steel

Switch: Switch with pre-wired pigtails and indicator lights

Switch plate: Stamped stainless steel pre-punched for switch(es) and indicator light(s)

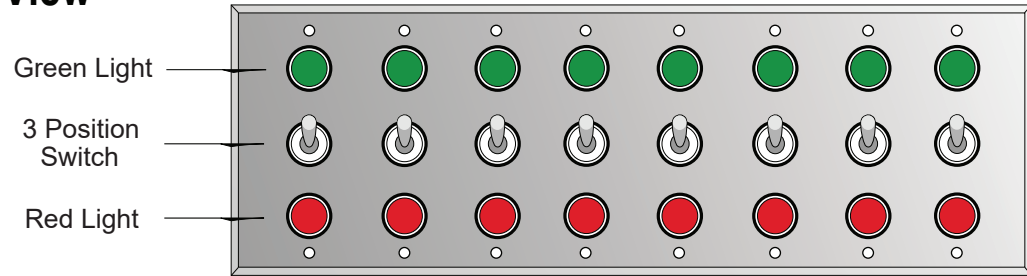
ELECTRICAL

Input Voltage: 120VAC

Product View

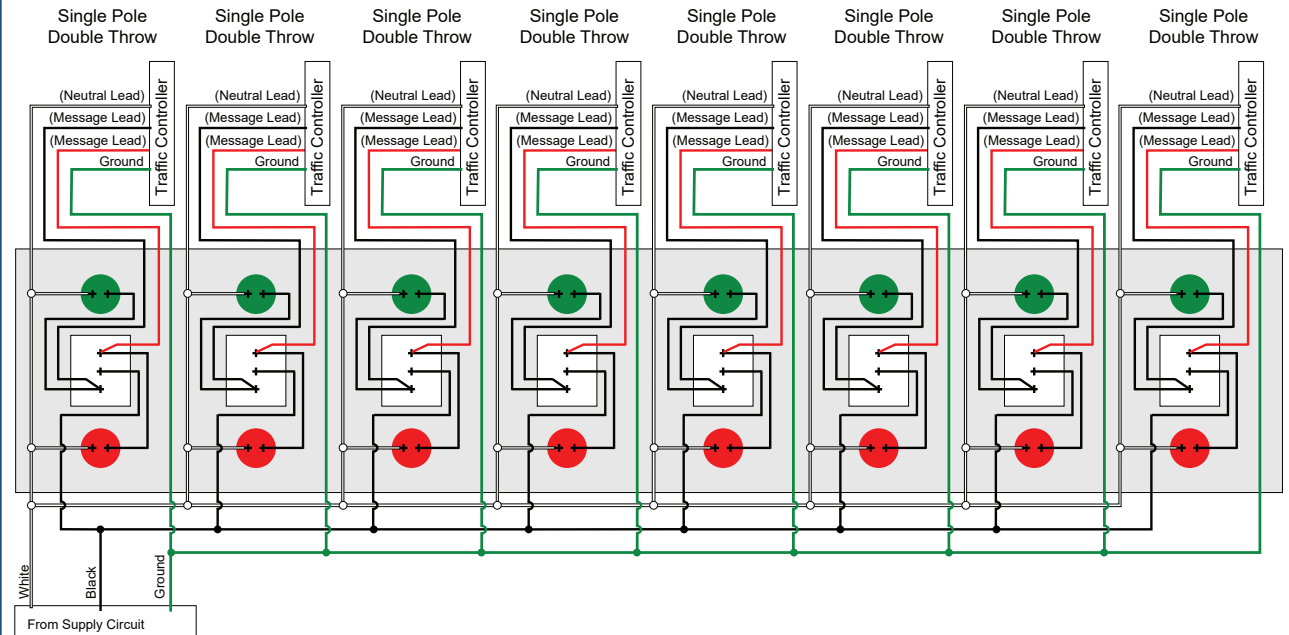
NOTE: Sign image may not exactly represent the finished product. For illustration purposes only.

Front View



Eight Gang

Schematic View



Directional Systems

2250 West 23rd St

Erie, PA 16506

Phone: (877) 827-8296

Fax: (877) 827-8291

Email: sales@directionalsystems.com

Website: www.directionalsystems.com

Directional
Systems

Proudly Made in the USA