

PRODUCT ID: 24194

Outdoor Blank-out LED Direct-view Sign

MODEL

TCL1212DRR-224H

DIMENSIONS

12" H x 12" W x 5.5" D (est. 11.978 lbs)

CLASS

CLASS: TCL Series

Control Method: Switch (not included) or external relay.

CONSTRUCTION

Cabinet: Corrosion resistant, extruded aluminum frame. 5.5" deep, mitered construction.

Face Material: 1/8" thick aluminum hood backed with 1/8" thick, impact resistant, smoke-tinted polycarbonate (5109)

Faces: Double Faced Sign

Finish: Duranodic Bronze

Mounting Channel:

ELECTRICAL

Input Voltage: 120-277 VAC

UL/cUL Listed: Listed for wet locations

MESSAGE

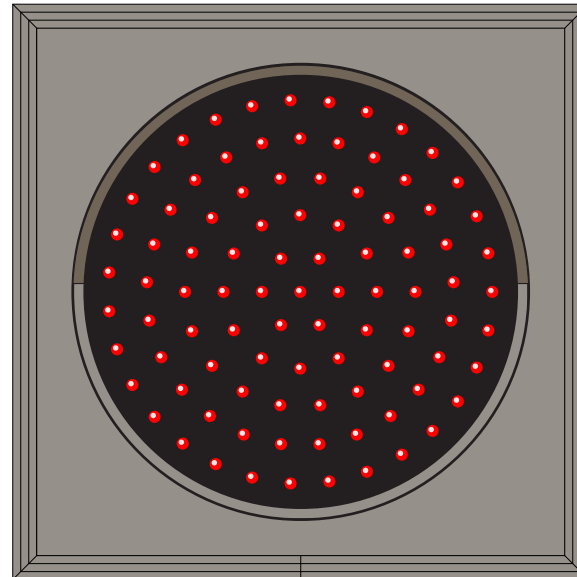
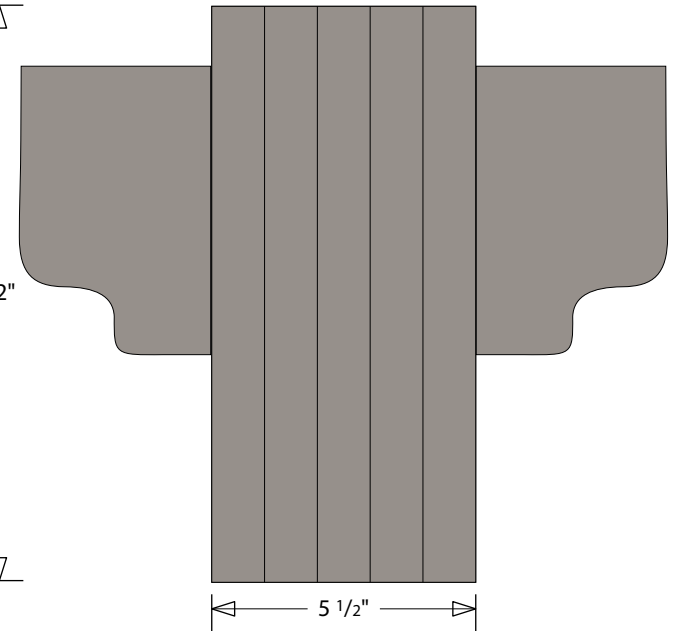
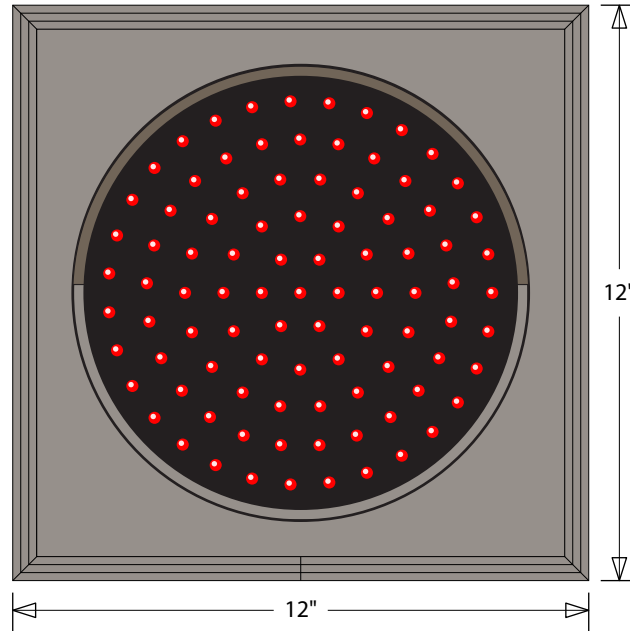
Illumination: Super bright direct view LEDs. Message blanks out when off.

Sign Messages: See message table below



Product View

NOTE: Sign image may not exactly represent the finished product. For illustration purposes only.



MESSAGE

LED/COLOR

HEIGHT

AMPS

Red Indicator Dot

Red Wide Angle

8.0"

0.045-0.020

Red Indicator Dot

Red Wide Angle

8.0"

0.045-0.020

NOTE: Above messages are independently controlled.

Directional Systems

2250 West 23rd St

Erie, PA 16506

Phone: (877) 827-8296

Fax: (877) 827-8291

Email: sales@directionalsystems.com

Website: www.directionalsystems.com

Proudly Made in the USA

Directional
Systems