

PRODUCT ID: 14783
Recessed Frame

MODEL
RF1010

DIMENSIONS
13" H x 13" W x 1.75" D (est. 2.176 lbs)

CONSTRUCTION
Finish: Duranodic Bronze
Material: Formed 1/8" CNC routed aluminum. Holes for mounting sign pre-drilled.

INSTALLATION
Note: Wall opening should be 0.5" larger than sign OD

Directional Systems
2201 W 50th St.
Erie, PA 16506
Phone: (877) 827-8296
Fax: (877) 827-8291

Email: sales@directionalsystems.com

Website: www.directionalsystems.com

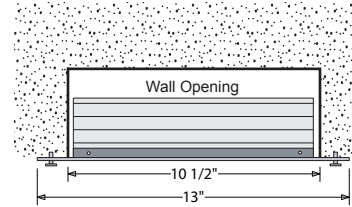


Proudly Made in the USA

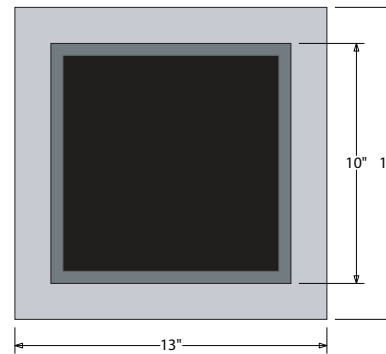
Product View

NOTE: Sign image may not exactly represent the finished product. For illustration purposes only.

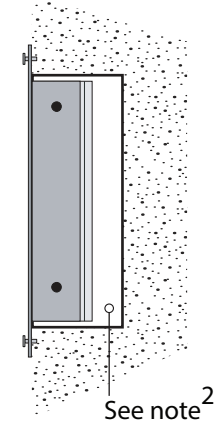
TOP VIEW



FRONT VIEW



SIDE VIEW



Note²: Allow clearance behind sign per local code or per electrical fittings.