

PRODUCT ID: 11786

Switch

MODEL

TG222 SPST/120VAC

DIMENSIONS

4.5" H x 6.37" W x 1" D (est. 0.25 lbs)

CONSTRUCTION

Finish: Switch plate brushed stainless steel

Switch: Switch with pre-wired pigtails and indicator lights

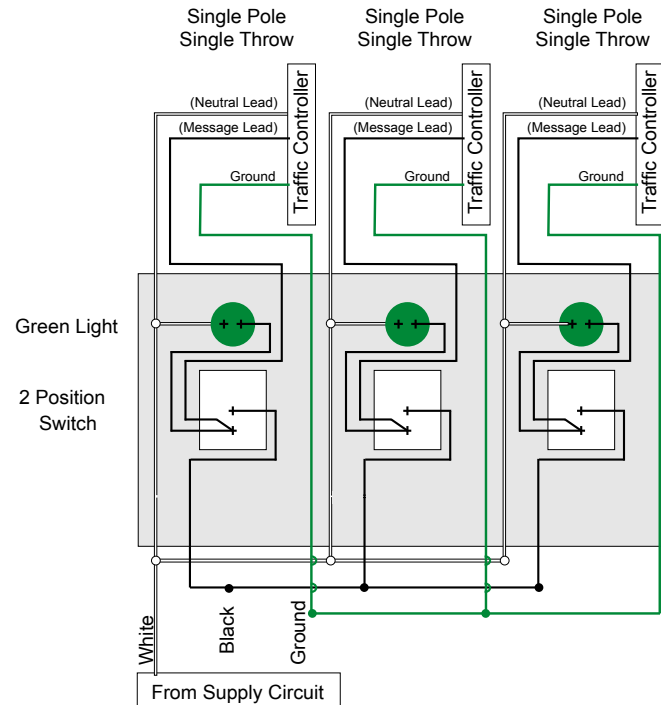
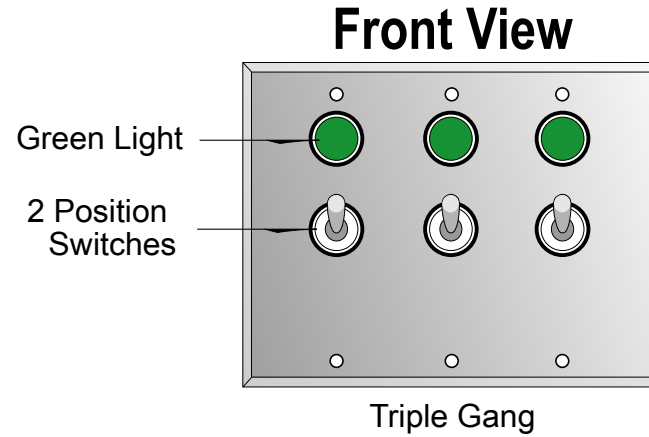
Switch plate: Stamped stainless steel pre-punched for switch(es) and indicator light(s)

ELECTRICAL

Input Voltage: 120VAC

Product View

NOTE: Sign image may not exactly represent the finished product. For illustration purposes only.



Directional Systems

2250 West 23rd St

Erie, PA 16506

Phone: (877) 827-8296

Fax: (877) 827-8291

Email: sales@directionalsystems.com

Website: www.directionalsystems.com

Directional
Systems

Proudly Made in the USA