

TCIL LED SERIES

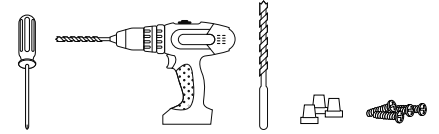
Installation Instructions

Voltage

This sign operates within an input range of 120VAC to 277VAC.

What You Need:

- Phillips Head Screw Driver
- Drill with a 5/16" and 7/8" drill bit
(not supplied)
- (4) Appropriate Wall Fasteners
(not supplied)
- Wire Connectors
- Control Switch
(ordered separately)



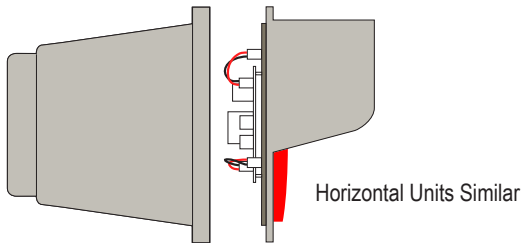
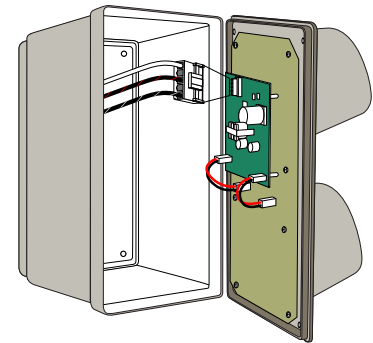
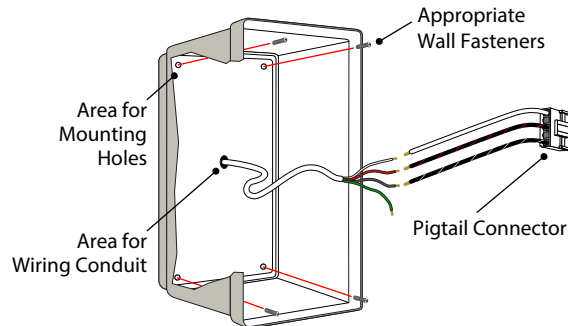
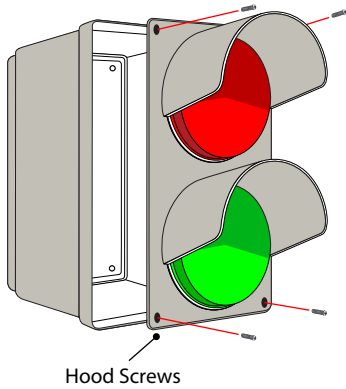
Always turn off the power prior to installation.



Be sure any metal debris cleared out of the cabinet.

Installation Steps

1. Remove the hood from the housing by unscrewing the four retaining screws on the front of the unit.
2. Use a 5/16" drill bit to drill (4) four holes in the housing for mounting fasteners and a 7/8" drill bit for conduit.
3. For Surface Mounting
Mount the housing securely to the surface using four appropriate fasteners (not supplied).
5. Disconnect the wiring pigtail from the circuit board to make wiring connections, see diagram on back
6. Plug pigtail into the circuit board and replace the hood and the four retaining screws removed in step 1.

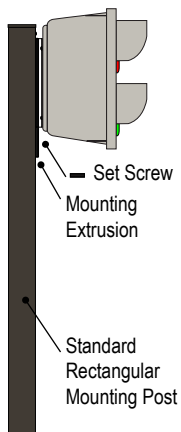


Note: Do not overtighten fasteners or distort back panel.

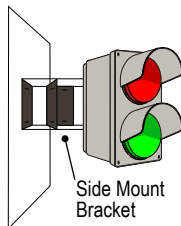
Note: This sign is intended to be installed in accordance with the requirements of Article 600 of the National Electric Code and/or other applicable local codes. This includes proper grounding and bonding of the sign.

Wall Mounting Dimensions

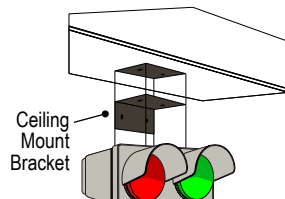
Mounting Options



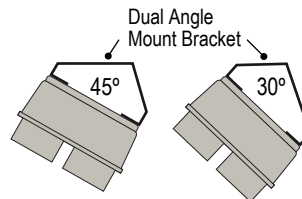
Post Mount



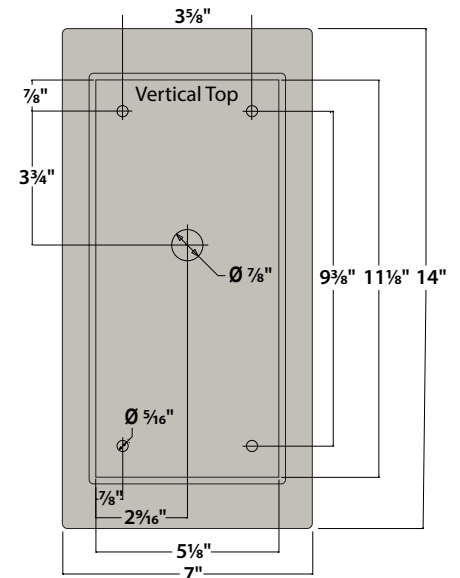
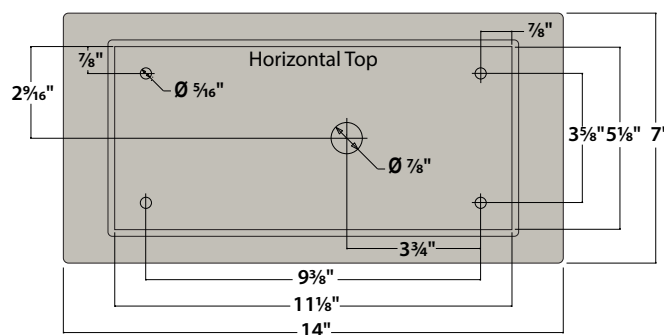
Side Mount



Ceiling Mount

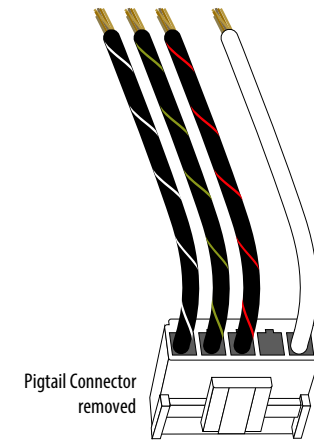
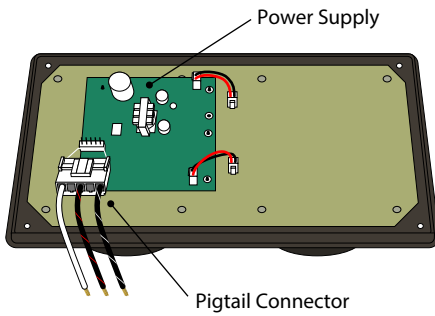


Angle Mount



Making your Wiring Connections

1. To make your electrical connections easier, gently unplug the supplied wired pigtail connector from the power supply.



(Actual wire count varies by number of messages)

2. With your incoming power already running through the mounted back you can easily make all connections to the pigtail using wire connectors.
3. Plug the pigtail connector back into the power supply to finish off the electrical part of your installation. The connector is "keyed" and can only be installed in one orientation
4. You're done with the electrical! Time to close up the sign by pushing the cabinet closed and replacing the two screws you removed from the bottom of the cabinet.

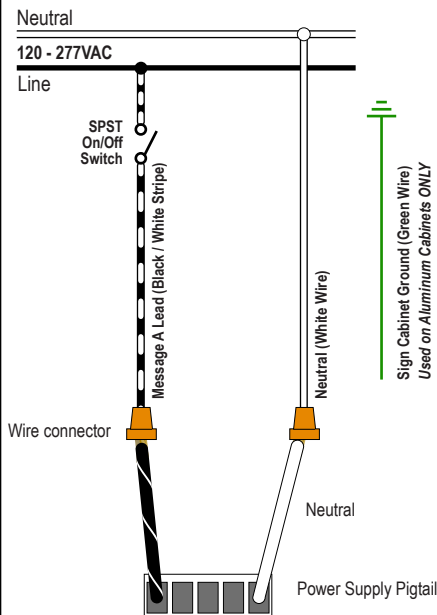


Note: Make appropriate wiring connections per local code.

Wiring for a Single Message Sign

- Wire color of Message A Black/White Stripe

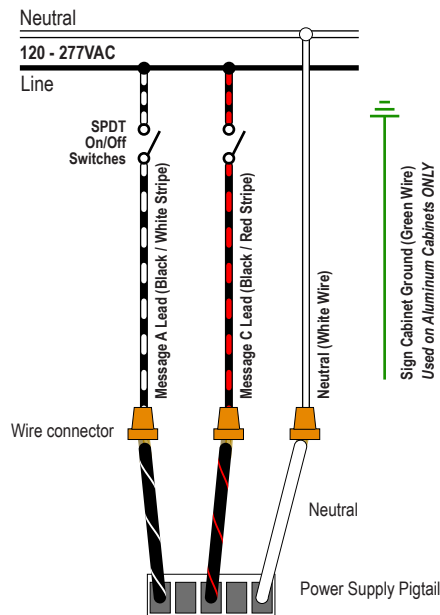
Input range of 120 to 277VAC



Wiring for a Two Message Sign

- Wire color of Message A Black/White Stripe
- Wire color of Message C Black/Red Stripe

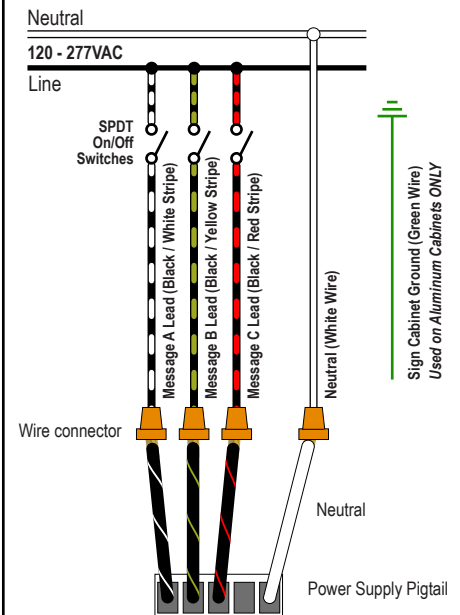
Input range of 120 to 277VAC



Wiring for a Three Message Sign

- Wire color of Message A Black/White Stripe
- Wire color of Message B Black/Red Stripe
- Wire color of Message C Black/Yellow Stripe

Input range of 120 to 277VAC



Note: Make appropriate wiring connections per local code.

Note: Any holes drilled into sign cabinet MUST be sealed. Failure to do so may cause a short and void warranty.

Note: This sign is intended to be installed in accordance with the requirements of Article 600 of the National Electric Code and/or other applicable local codes. This includes proper grounding and bonding of the sign.

Normal Operation

There are 4 LEDs on the power supply

+12V LED

Illuminates green with 120V power applied to the Pigtail.
Note: Transformer on power supply converts 120V power to 12V.

A Output LED

Illuminates with power applied to Black/White stripe wire

B Output LED

Illuminates with power applied to Black/Yellow stripe wire

C Output LED

Illuminates with power applied to Black/Red stripe wire

