

# TCI TRAFFIC CONTROLLER INDICATOR

## Installation Instructions

(For Incandescent, Horizontal or Vertical Units)

### Standard Wall Mount

1. Remove the cover from the housing by unscrewing the four retaining screws on the front of the unit.

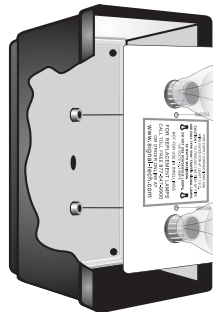
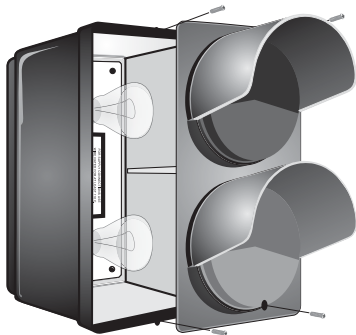
2. Carefully remove the raceway by unscrewing the two screws located between the sockets.

3. Using a screwdriver knock out the holes in the housing for screws and conduct.

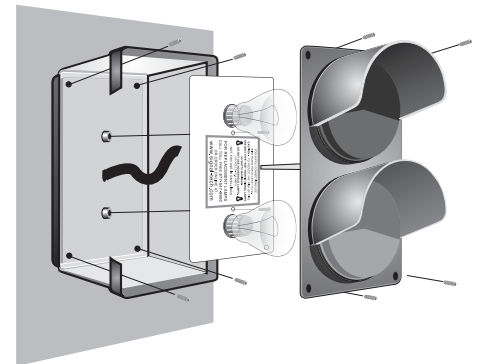
4. Mount the housing securely to the building structure using four appropriate fasteners (not supplied).

5. Make wiring connections, see diagram below for optional control switch.

6. Attached raceway with the two screws removed, install supplied incandescent lamps, and replace the cover and four retaining screws.



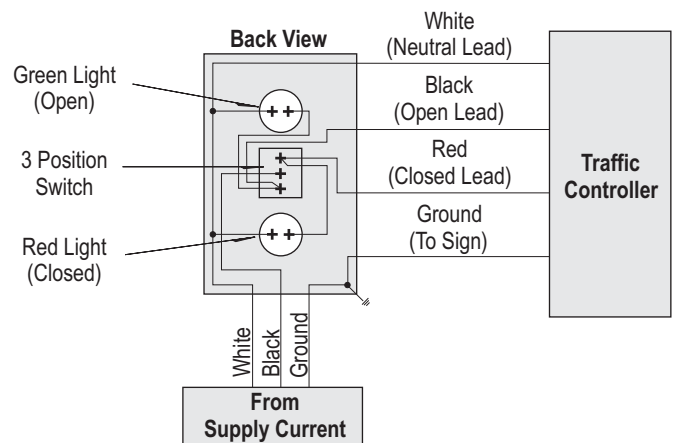
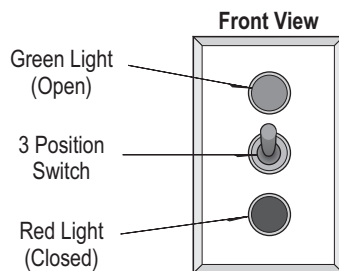
Incandescent Lamps



**Note:** Make appropriate wiring connections per local codes.

### Optional Control Switch - Wiring Schematic

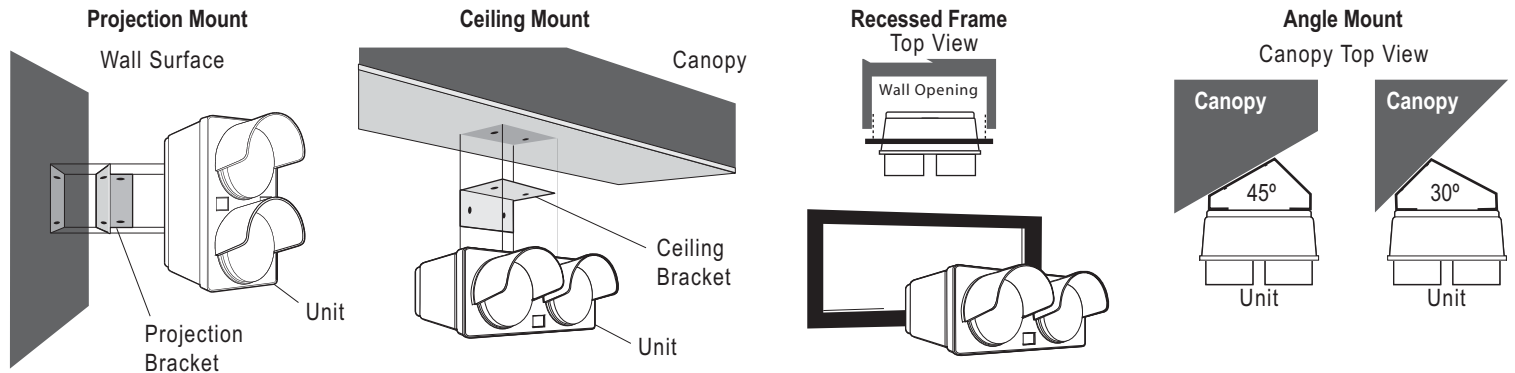
Wiring diagram for teller control switch with three position switch and green and red indicator lights.



For Supply Connections Use Wire Rated  
For At Least 110° C  
120 Volts 0.6 Amps  
Replace with 53 Watt Bulbs Maximum

## Projection, Ceiling, Recessed, and Angle Mounts

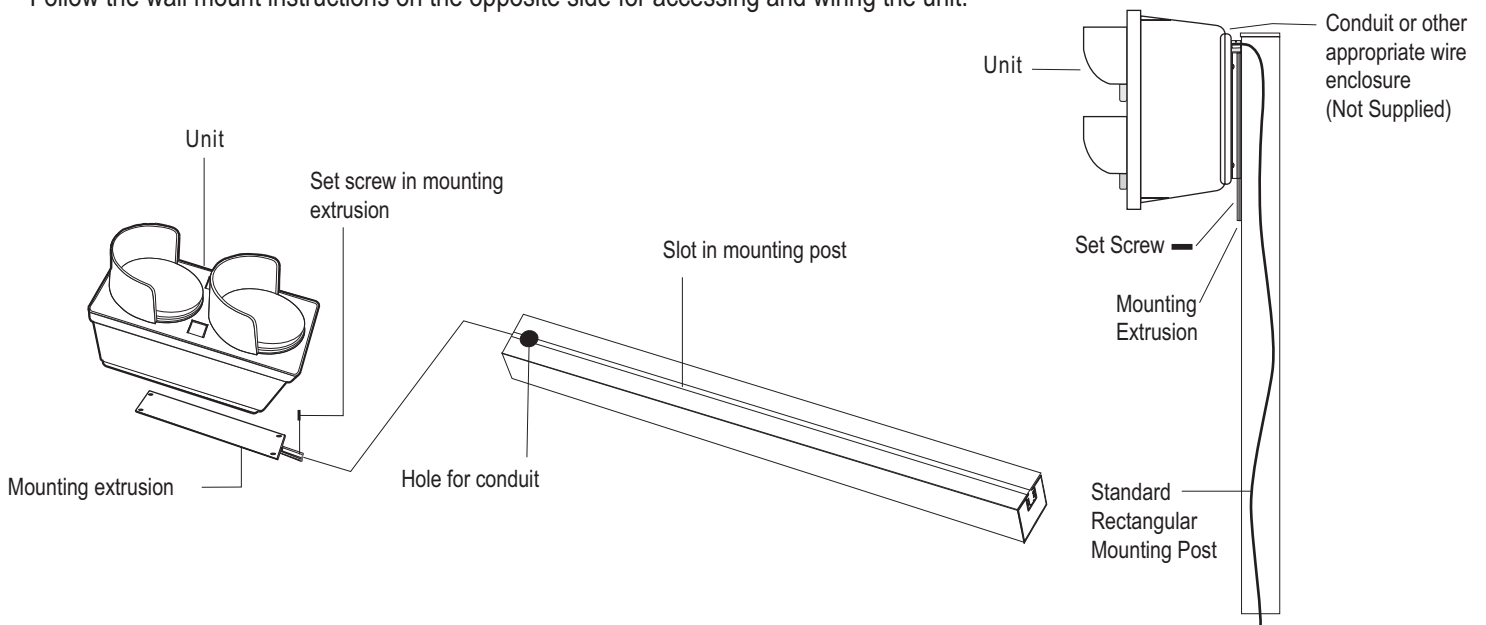
- Remove the cover of the TCI unit by unscrewing the four retaining screws on the front of the unit.
- Remove the raceway by unscrewing the two screws located between the sockets.
- Secure the mounting bracket (**Angle, Ceiling or Projection**) to the building surface using appropriate fasteners (not supplied).
- Using a screwdriver, knock out the holes in the housing for screws and conduit. Attach the unit housing to the mounting bracket with appropriate fasteners (not supplied).
- Make wiring connections (see diagram). Replace the raceway using the screws removed in step 2, install supplied incandescent lamps, and replace the cover and four retaining screws.
- Secure **Recessed Frame** to TCI unit with 4 screws, insert frame / unit assembly into wall opening, attach frame to wall surface using appropriate fasteners (not supplied).



**Note:** Make appropriate wiring connections per local codes.

## Center Post Mount

- Laying post on the ground, slide TCI unit with attached mounting extrusion into the post slot.
- Align the mounting extrusion just under the conduit hole in the post and tighten the set screw in the mounting extrusion.
- Fasten the post cap on top of the post with the two screws provided. Dig hole to local code, insert post and fill with concrete Level sign both horizontally and vertically.
- Follow the wall mount instructions on the opposite side for accessing and wiring the unit.



**Note:** Make appropriate wiring connections per local codes.