

# Switch Wiring Examples

- A** (1) Single Pole / Double Throw Switch
- B** (1) Single Pole / Single Throw Switches

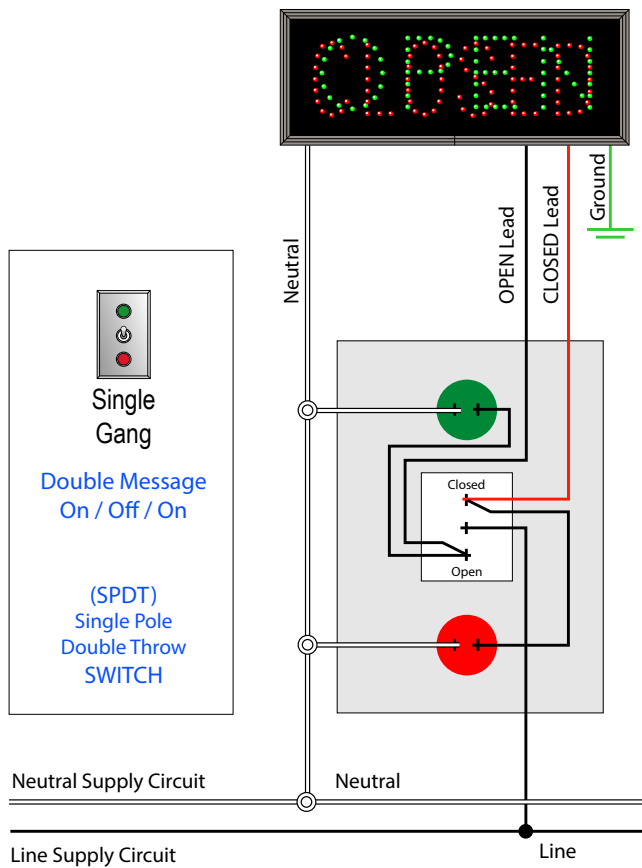


**Note:** Make appropriate wiring connections per local codes.

For Supply Connections  
Use Wire Rated For  
At Least 110° C

## Schematic Views

**A** Traffic Controller with Two Messages



**B** Traffic Controller with One Message

