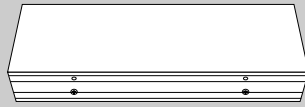
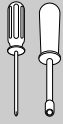


# Recessed Frame

## Mounting Installation Instructions

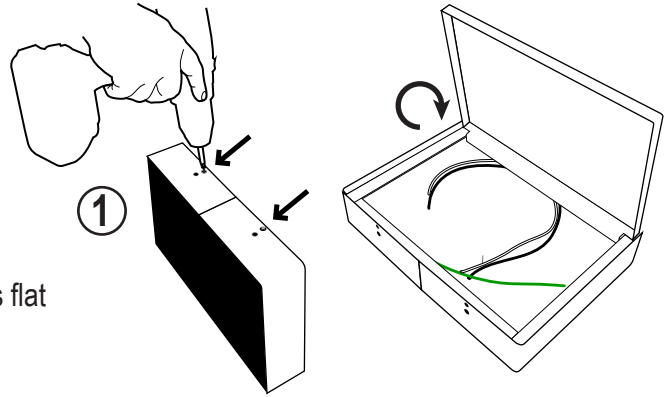
### What You Need:

Philips Head Screw Driver or  
Philips Head Bit  
Fasteners to Attach Frame to Surface  
Driver for Fasteners

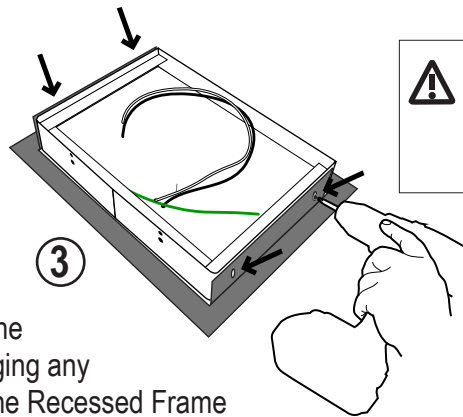
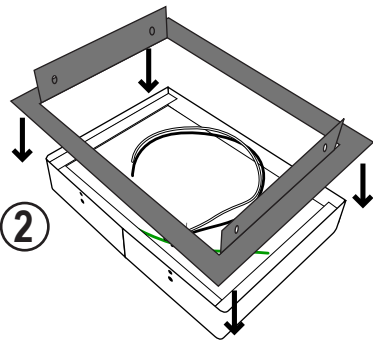


Always turn off the power to the sign prior to opening the cabinet. Disconnect the power wires going to the sign.

- ① • Remove the sheetmetal Lift'n'Shift Back from the sign. It is held in place with two Philips head screws located on the bottom of the sign. Pull or gently pry the Back outward from the bottom of the sign. It will pivot at the top, and can then come out entirely.



- ② • Prepare a flat, clean surface, and set the sign on it, face-down. Be careful to avoid scratching the face material or the finish on the frame. Slide the Recessed Frame down over the sign until the frame also lies flat on the surface.



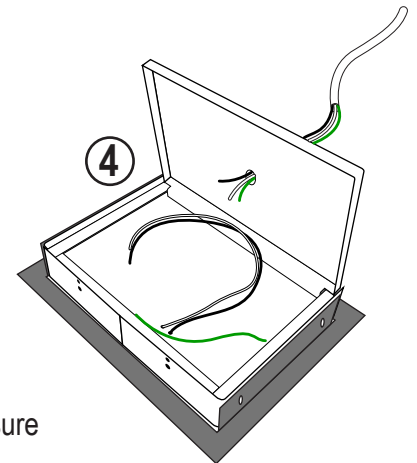
Note: Do not overtighten fasteners or distort back panel.

Note: Clear any metal chips from inside sign cabinet, failure to do so may void warranty.

Note: Make appropriate wiring connections per local codes.

- ③ • Using a 1/8" drill bit, drill holes into the sign frame. Be careful to avoid damaging any components inside the sign. Fasten the Recessed Frame to the sign using the included (4) sheetmetal screws.

- ④ • Next, make all wiring connections through the sign's removed Back. Two knockouts are provided for conduit pass-thru. Attach any necessary electrical hardware or fittings to the Back, then push the necessary wires through the fitting, and make the necessary wiring connections to the sign's internal power supply.



- ⑤ • If any metal chips have been created near the sign, inspect the inside of the sign to ensure that no debris is present, as it may cause a damaging electrical short.

- ⑥ • Replace the Back into the sign. Ensure that the upper flange is properly seated inside of the first rib in the frame. Hinge the rest of the Back into the sign, and secure it back in place with the two screws on the bottom.



Note: Do not overtighten fasteners or distort back panel.

Note: Clear any metal chips from inside sign cabinet, failure to do so may void warranty.

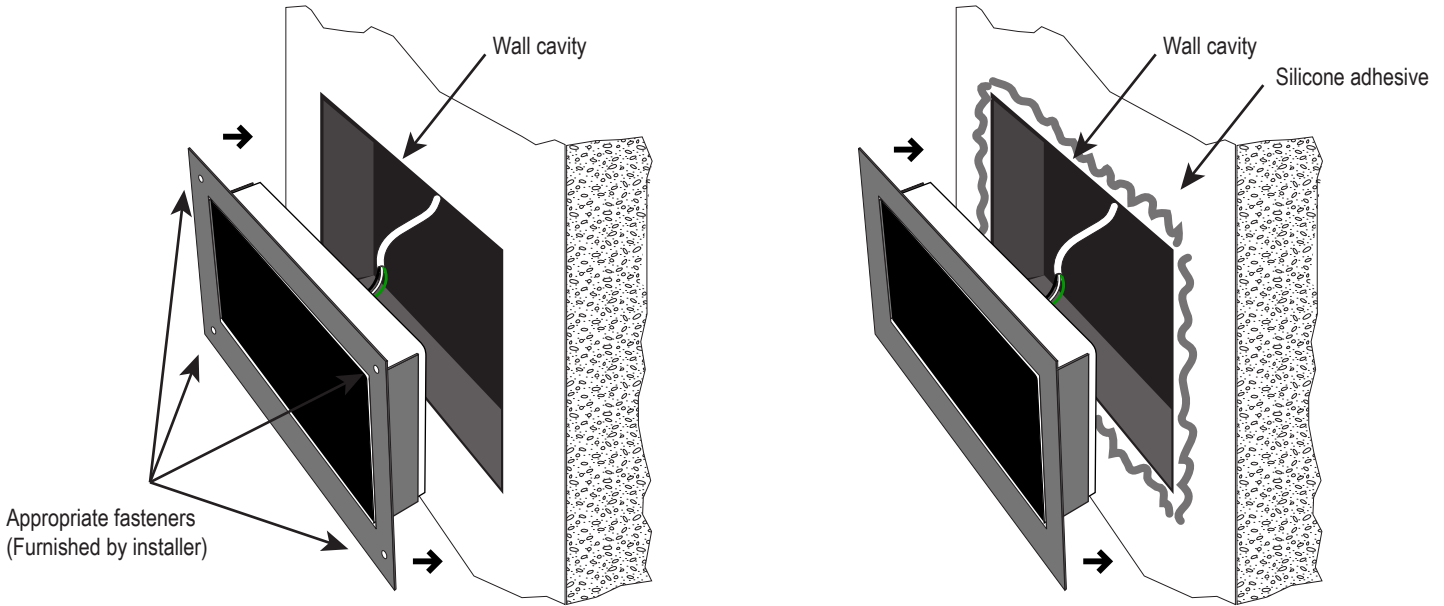
Note: Make appropriate wiring connections per local codes.

# Recessed Frame

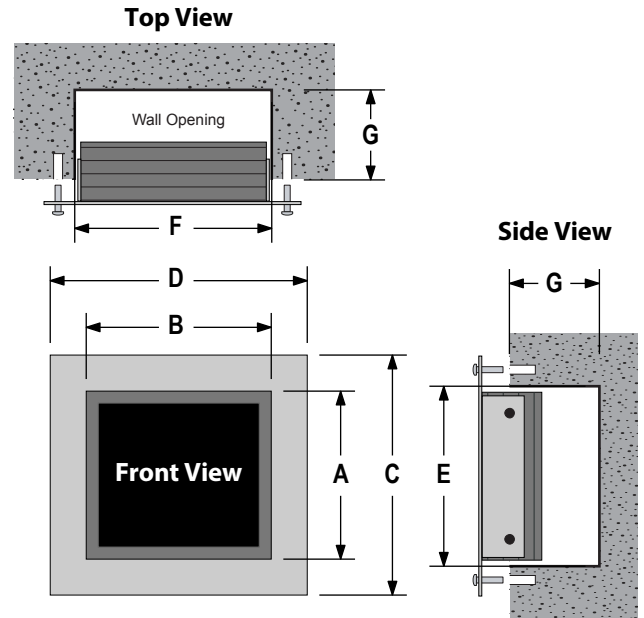
## Mounting Installation Instructions

- ⑦ • The assembly is now ready to be placed into the cavity. To secure it in place, silicone adhesive may be used between the Recessed Frame and the substrate, or fastening hardware may be used. If hardware is to be used, appropriate holes must be drilled through the flat portion of the Recessed Frame, into the substrate surrounding the cavity.

(Due to the variety of surfaces onto which a Recessed Frame may be attached, proper fasteners must be furnished by the installer.)



Cabinet Size Series	Sign Size		Recessed Frame		Wall Cavity Opening		
	A Height	B Width	C Height	D Width	E Height	F Width	G Depth
TCL/L Vertical	14"	7"	17 <sup>3</sup> / <sub>4</sub> "	10 <sup>3</sup> / <sub>4</sub> "	14 <sup>1</sup> / <sub>2</sub> "	7 <sup>3</sup> / <sub>4</sub> "	4"
TCL/L Horizontal	7"	14"	10 <sup>3</sup> / <sub>4</sub> "	17 <sup>3</sup> / <sub>4</sub> "	7 <sup>1</sup> / <sub>2</sub> "	14 <sup>3</sup> / <sub>4</sub> "	4"
77 TCL/SBL/SBLF	7"	7"	10"	10"	7 <sup>1</sup> / <sub>2</sub> "	7 <sup>3</sup> / <sub>4</sub> "	4"
718 TCL/SBL/SBLF/PHX	7"	18"	10"	21"	7 <sup>1</sup> / <sub>2</sub> "	18 <sup>3</sup> / <sub>4</sub> "	4"
726 TCL/SBL/SBLF	7"	26"	10"	29"	7 <sup>1</sup> / <sub>2</sub> "	26 <sup>3</sup> / <sub>4</sub> "	4"
734 TCL/SBL/SBLF/PHX	7"	34"	10"	37"	7 <sup>1</sup> / <sub>2</sub> "	34 <sup>3</sup> / <sub>4</sub> "	4"
742 TCL/SBL/SBLF	7"	42"	10"	45"	7 <sup>1</sup> / <sub>2</sub> "	42 <sup>3</sup> / <sub>4</sub> "	4"
811 TCL/SBL/SBLF	8"	11"	11"	14"	8 <sup>1</sup> / <sub>2</sub> "	11 <sup>3</sup> / <sub>4</sub> "	4"
1026 TCL/SBL/SBLF	10"	26"	13"	29"	10 <sup>1</sup> / <sub>2</sub> "	26 <sup>3</sup> / <sub>4</sub> "	4"
1212 TCL/SBL/SBLF	12"	12"	15"	15"	12 <sup>1</sup> / <sub>2</sub> "	12 <sup>3</sup> / <sub>4</sub> "	4"
1418 TCL/SBL/SBLF/PHX	14"	18"	17"	21"	14 <sup>1</sup> / <sub>2</sub> "	18 <sup>3</sup> / <sub>4</sub> "	4"
1426 TCL/SBL/SBLF	14"	26"	17"	29"	14 <sup>1</sup> / <sub>2</sub> "	26 <sup>3</sup> / <sub>4</sub> "	4"
1434 TCL/SBL/SBLF	14"	34"	17"	37"	14 <sup>1</sup> / <sub>2</sub> "	34 <sup>3</sup> / <sub>4</sub> "	4"
1442 TCL/SBL/SBLF	14"	42"	17"	45"	14 <sup>1</sup> / <sub>2</sub> "	42 <sup>3</sup> / <sub>4</sub> "	4"
1818 TCL/SBL/SBLF	18"	18"	21"	21"	18 <sup>1</sup> / <sub>2</sub> "	18 <sup>3</sup> / <sub>4</sub> "	4"



**Note:** Do not overtighten fasteners or distort back panel.  
**Note:** Clear any metal chips from inside sign cabinet, failure to do so may void warranty.  
**Note:** Make appropriate wiring connections per local codes.

**A** Sign Size Height  
**B** Sign Size Width  
**C** Recessed Frame Height  
**D** Recessed Frame Width  
**E** Wall Opening Height  
**F** Wall Opening Width  
**G** Wall Opening Depth