

# PRODUCT ID: 31885

## Switch

### MODEL

SG3 SPDT/277VAC

### DIMENSIONS

4.5" H x 2.75" W x 1" D (est. 1.2 lbs)

### CONSTRUCTION

**Finish:** Switch plate brushed stainless steel

**Switch:** Switch with indicator lights

**Switch plate:** Stamped stainless steel pre-punched for switch(es) and indicator light(s)

### ELECTRICAL

**Input Voltage:** 277VAC

### FINISH

**Custom Switch Label:**

### Directional Systems

2201 W 50th St.

Erie, PA 16509

Phone: (877) 827-8296

Fax: (877) 827-8291

Email: sales@directionalsystems.com

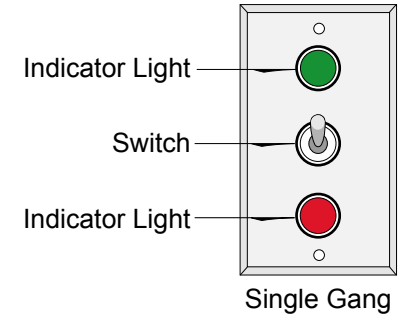
Website: www.directionalsystems.com



## Product View

NOTE: Sign image may not exactly represent the finished product. For illustration purposes only.

### Front View



### Schematic View

