

Single Post Mount w/ Baseplate P40B

PRODUCT NUMBER

2886

DIMENSIONS

40" H x 6" W x 6" D

INSTALLATION METHOD

Mount to solid surface using appropriate fasteners using 6" x 6" baseplates.

SYSTEM USES

Available for all signs.

CONSTRUCTION

(2) 2.25" x 3" extruded aluminum post with end caps, 40" in length with welded aluminum 6" x 6" baseplates. Includes mounting extrusion and set screw.

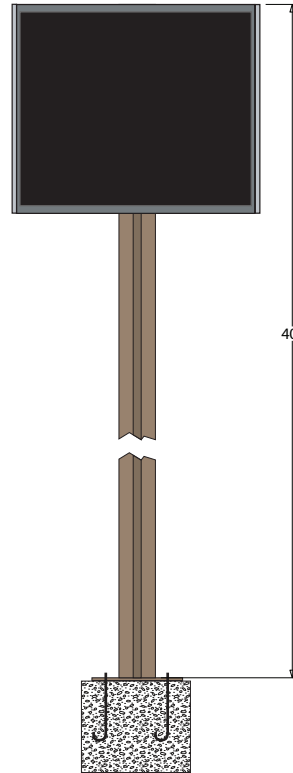
FINISH

Standard Cabinet Color: Duranodic Bronze
Custom colors available upon request

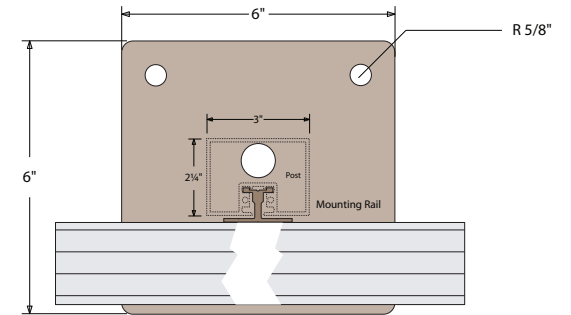
Product View

NOTE: Sign image may not exactly represent the finished product. For illustration purposes only.

Front View

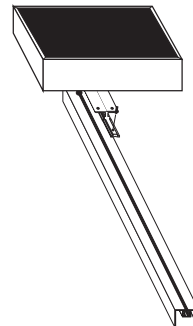


Top View



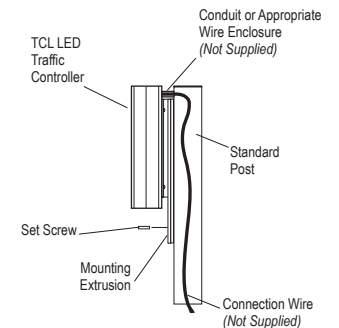
Installation

Double Post Mount



- Lay the post(s) on ground, slide cabinet with mounting extrusion already attached into post slot.
- Align the cabinet flush with top of the post(s).
- Tighten the set screw in the mounting extrusions and fasten the post cap on the post(s).
- Embed "J" hooks into foundation allow to cure and mount posts using appropriate fasteners.

Note: Make appropriate wiring connections per local codes.



Directional Systems

1419 West 26th St.

Erie, PA 16508

Phone: (877) 827-8296

Fax: (877) 827-8291

Email: sales@directionalsystems.com

Website: www.directionalsystems.com



Directional Systems

Proudly Made in the USA