

# Double Gang Switch DG32

**PRODUCT NUMBER**  
1996

**DIMENSIONS**  
4.5" H x 4.5" W x 1" D

**ILLUMINATION SOURCE**  
Red and Green Indicator Lamps

**ELECTRICAL**  
120 VAC, 0.9 Amps

**CONSTRUCTION**  
Switchplate: Stamped Stainless Steel

**FINISH**  
Switchplate: Brushed Stainless Steel

**Note:** This sign is intended to be installed in accordance with the requirements of Article 600 of the National Electrical Code and / or other applicable local codes. This includes proper grounding and bonding of the sign.

**Note:** Make appropriate wiring connections per local codes.

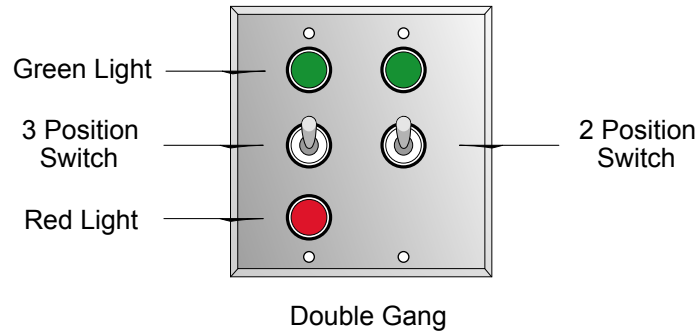


For Supply Connections  
Use Wire Rated For  
At Least 110° C

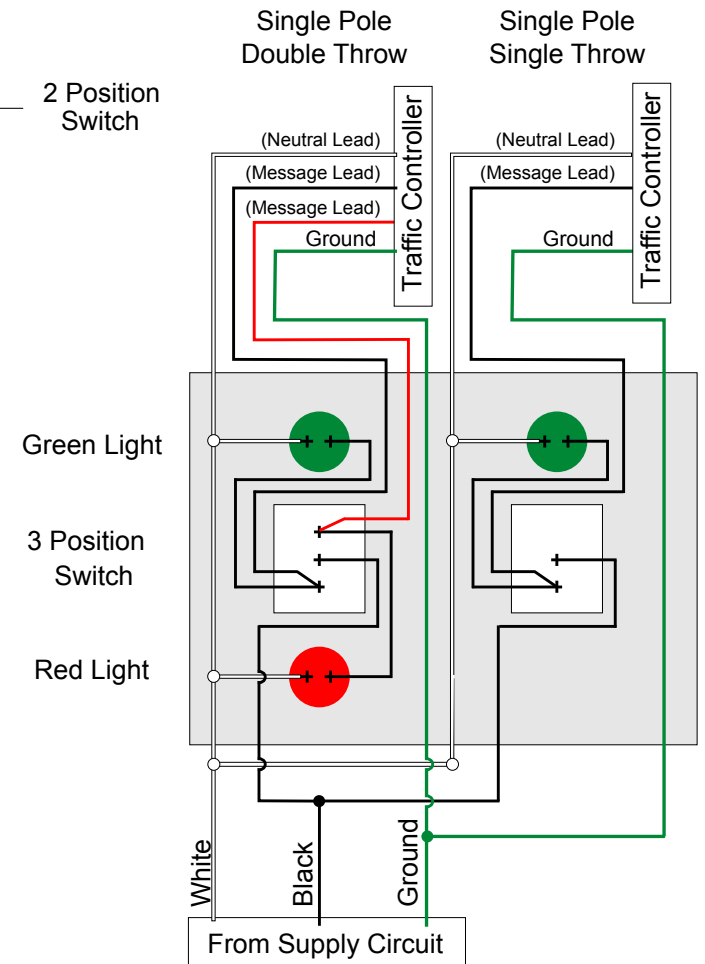
## Product View

NOTE: Sign image may not exactly represent the finished product. For illustration purposes only.

### Front View



### Schematic View



**Directional Systems**  
1419 West 26th St.  
Erie, PA 16508  
Phone: (877) 827-8296  
Fax: (877) 827-8291  
Email: sales@directionalsystems.com  
Website: [www.directionalsystems.com](http://www.directionalsystems.com)



Directional Systems

Proudly Made in the USA