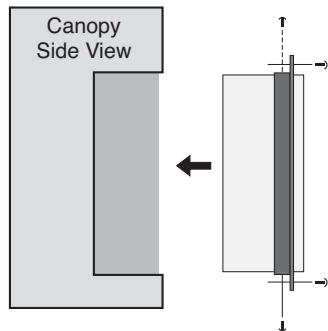
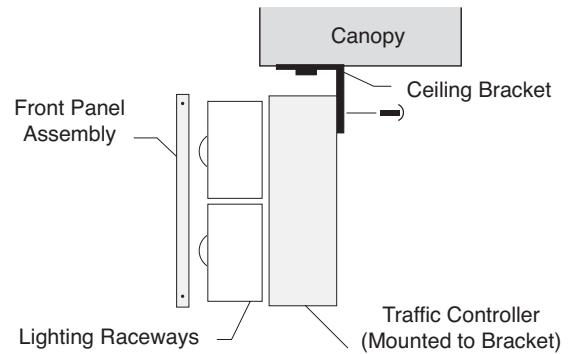


Ceiling Mount

- Mount the ceiling bracket to the appropriate building canopy.
- Remove the front panel assembly and slide out the two lighting raceways.
- Mount the cabinet to the ceiling bracket with two fasteners (*Fasteners Not Supplied*).
- Make all wiring connections.
- Replace the two lighting raceways and refasten the front panel assembly.



Note: Make appropriate wiring connections per local codes.



Recessed Frame Mount

- Fasten the recessed mounting bracket, behind retainer, with appropriate fasteners. (*Not Supplied*).
- Slide assembled unit into the recess opening.
- Fasten the mounting bracket to the face of the opening with four fasteners (*Not Supplied*).

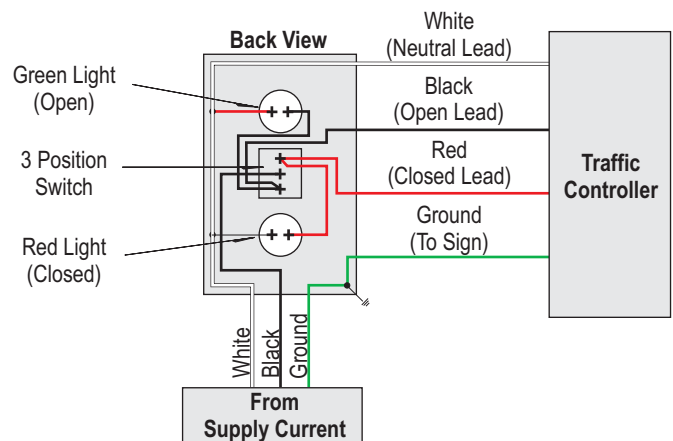
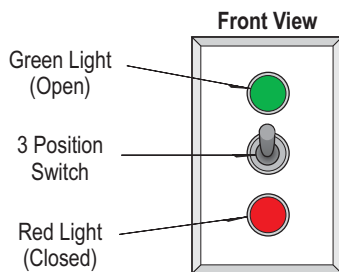


Note: Make appropriate wiring connections per local codes.

Model	Wall Opening	Outer Dimension
TCI/L V/H	7 ¹ / ₂ " x 14 ¹ / ₂ "	10 ³ / ₄ " x 17 ³ / ₄ "
TC/L/U 718	7 ¹ / ₂ " x 18 ¹ / ₂ "	10" x 21"
TC/L 726	7 ¹ / ₂ " x 26 ¹ / ₂ "	10" x 29"
TC/L/U 734	7 ¹ / ₂ " x 34 ¹ / ₂ "	10" x 37"
TC/L 742	7 ¹ / ₂ " x 42 ¹ / ₂ "	10" x 45"
TC/L/U 1418	14 ¹ / ₂ " x 18 ¹ / ₂ "	17" x 21"
TC/L 1426	14 ¹ / ₂ " x 26 ¹ / ₂ "	17" x 29"
TC/L 1434	14 ¹ / ₂ " x 34 ¹ / ₂ "	17" x 37"
TC/L 1442	14 ¹ / ₂ " x 42 ¹ / ₂ "	17" x 45"
TC/L 2118	21 ¹ / ₂ " x 18 ¹ / ₂ "	24" x 21"
TC/L 2126	21 ¹ / ₂ " x 26 ¹ / ₂ "	24" x 29"
TC/L 2134	21 ¹ / ₂ " x 34 ¹ / ₂ "	24" x 37"
TC/L 2818	28 ¹ / ₂ " x 18 ¹ / ₂ "	31" x 21"
TCL 77	7 ¹ / ₂ " x 7 ¹ / ₂ "	10" x 10"
TCL 1026	10 ¹ / ₂ " x 26 ¹ / ₂ "	13" x 29"
TCL 1212	12 ¹ / ₂ " x 12 ¹ / ₂ "	15" x 15"
TCL 1818	18 ¹ / ₂ " x 18 ¹ / ₂ "	21" x 21"

Optional Control Switch - Wiring Schematic

Wiring diagram for teller control switch with three position switch and green and red indicator lights.



For Supply Connections Use Wire Rated
For At Least 110° C
120 Volts 0.6 Amps
Replace with 69 Watt Bulbs Maximum