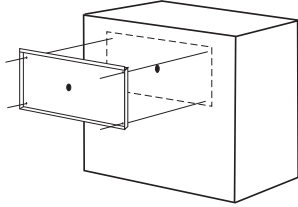
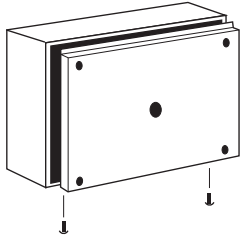
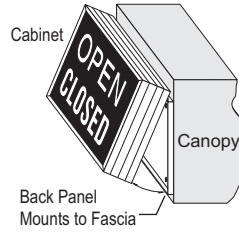


### Wall Mount Standard Install Instructions

- Remove the back panel of the unit by unscrewing the two retaining screws on the bottom of the unit.



- Mount the back panel to the appropriate building face with four fasteners. (Not Supplied)



- Lift the cabinet on the top edge of the back panel and shift forward, make wire connections according to the instructions below, then replace the two retaining screws removed in step one.



**Note:** Do not overtighten fasteners or distort back panel.

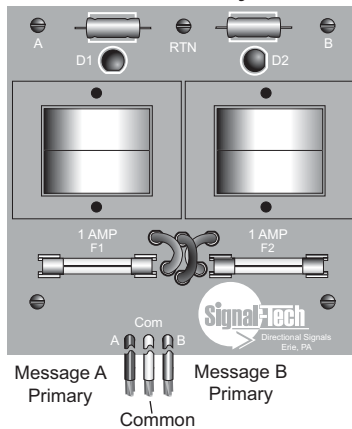
**Note:** Clear any metal chips from inside sign cabinet, failure to do so may void warranty.

**Note:** This sign is intended to be installed in accordance with the requirements of Article 600 of the National Electric Code and/or other applicable local codes. This includes proper grounding and bonding of the sign.

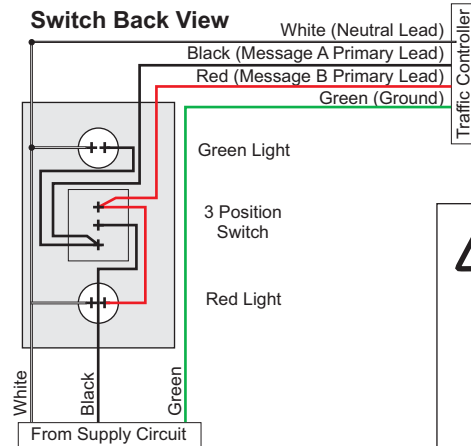
### TCL Standard Dual Message Power Supply Wiring Diagram

- Connect black Message A primary wire and Red Message B primary wire to opposite switch poles.
- Connect white common wire to supply circuit.

#### 120VAC Only



#### Switch Back View



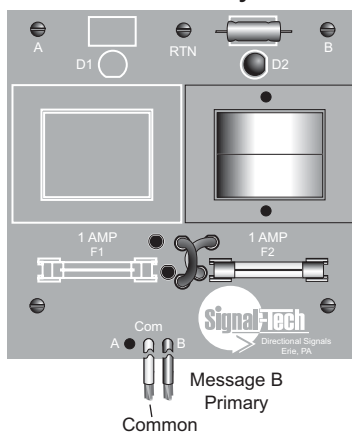
**Note:** Make appropriate wiring connections per local code.

**Note:** This sign is intended to be installed in accordance with the requirements of Article 600 of the National Electric Code and/or other applicable local codes. This includes proper grounding and bonding of the sign.

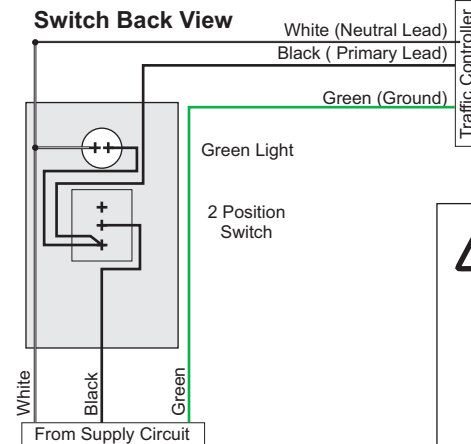
### TCL Standard Single Message Power Supply Wiring Diagram

- Connect Red Message B primary wire to switch pole.
- Connect white common wire to supply circuit.

#### 120VAC Only



#### Switch Back View



**Note:** Make appropriate wiring connections per local code.

**Note:** This sign is intended to be installed in accordance with the requirements of Article 600 of the National Electric Code and/or other applicable local codes. This includes proper grounding and bonding of the sign.