

# TCI TRAFFIC CONTROLLER INDICATOR

## Installation Instructions

(For Incandescent, Horizontal or Vertical Units)

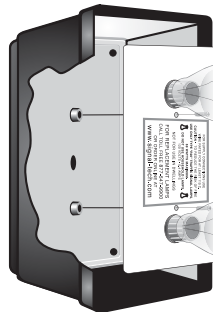
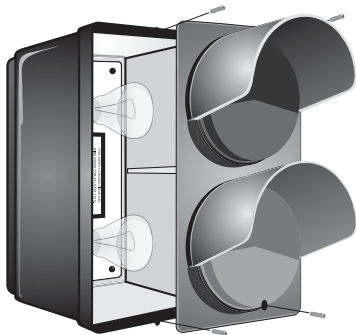


### Standard Wall Mount

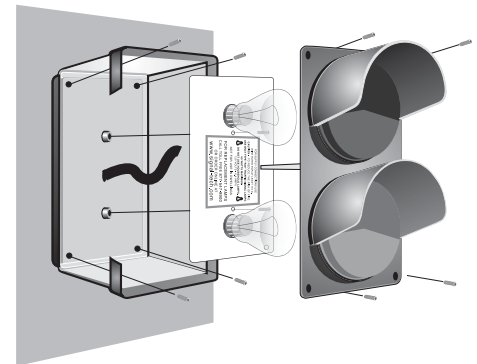
- Remove the cover from the housing by unscrewing the four retaining screws on the front of the unit.

- Carefully remove the raceway by unscrewing the two screws located between the sockets.
- Using a screwdriver knock out the holes in the housing for screws and conduct.

- Mount the housing securely to the building structure using four appropriate fasteners (not supplied).
- Make wiring connections, see diagram below for optional control switch.
- Attached raceway with the two screws removed above, install supplied incandescent lamps, and replace the cover and four retaining screws.



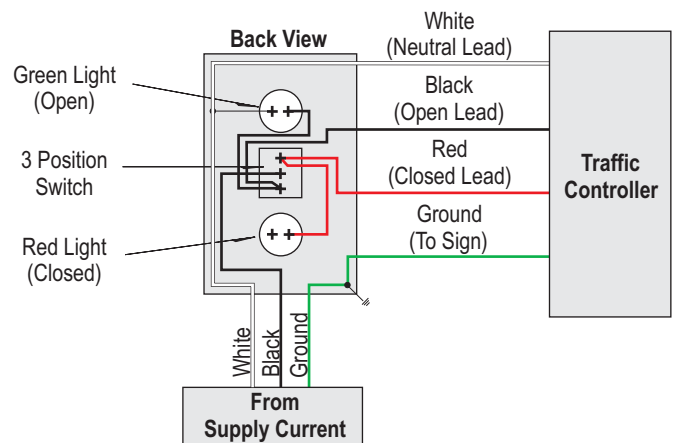
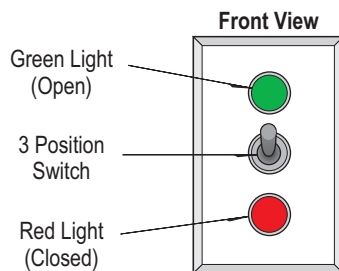
Incandescent Lamps



**Note:** Make appropriate wiring connections per local codes.

### Optional Control Switch - Wiring Schematic

Wiring diagram for teller control switch with three position switch and green and red indicator lights.



For Supply Connections Use Wire Rated  
For At Least 110° C  
120 Volts 0.6 Amps  
Replace with 69 Watt Bulbs Maximum