

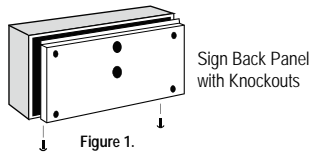
TC Neon - Transformer Replacement

Sign Disassembly Power Supply Wiring Diagram

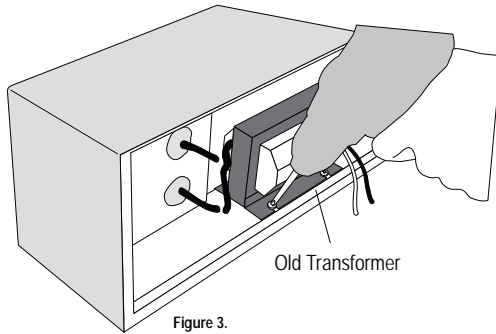
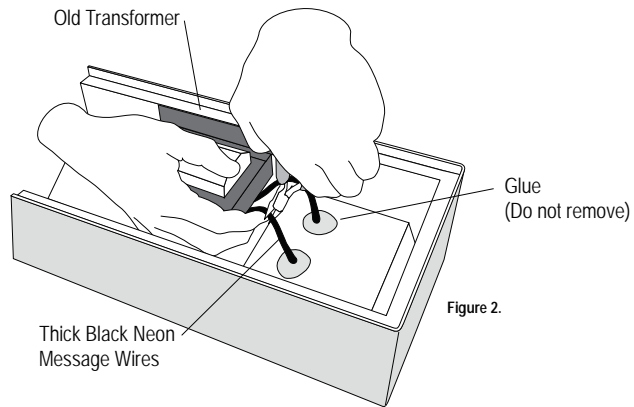
To complete this replacement you will need: Screw Gun with a Philips Head bit
Replacement Transformer

Wire Cutters
Wire Strippers
Wire Nuts

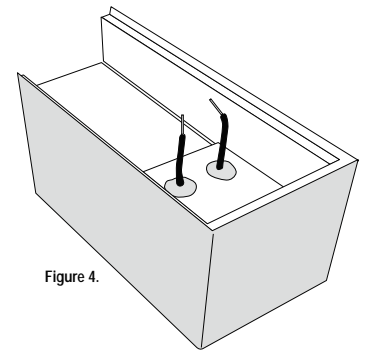
- 1 Remove the back panel by unscrewing the two retaining screws on the bottom edge of the cabinet. Figure 1.



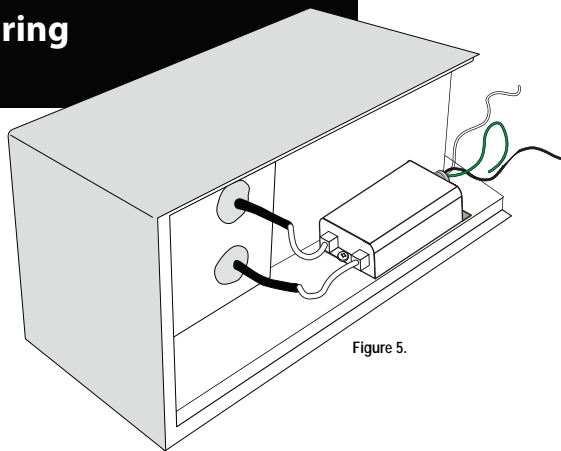
- 2 With the back panel removed locate the two thick black wires that go from the message that is not working to the transformer. See Figure 2. Do not remove the glue that affixes the wire to the neon tray. Cut the two black wires 4 to 5 inches from the glue or as close to the old transformer as possible. It is important to leave enough to strip the wire and make the connections to the new transformer.



- 3 Remove the old power supply by unscrewing the two fasteners holding it to the side of the frame. See Figure 3. Be sure to retain the two fasteners for attaching the new transformer and discard the old transformer. Using wire strippers, remove about 1/2" of insulation from the two thick black wires. See Figure 4.

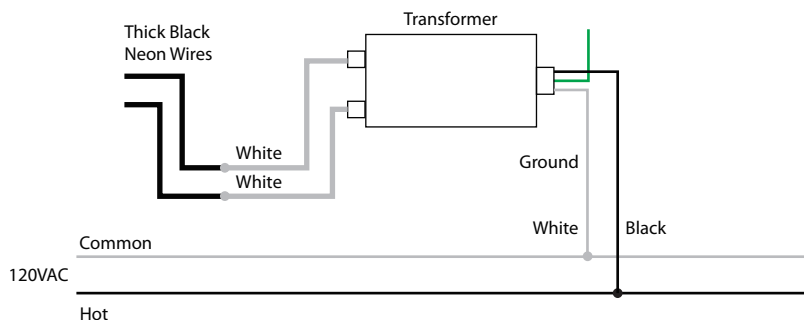


Transformer Wiring



- 4 Place the new transformer in the same spot as the old one and attach it to the frame using the fasteners from step 3. Next make the new electrical connections. The two white wires need to be connected to the two thick black wires. The black and white wires are for your power. It doesn't matter which White wire connects to which thick black wire in the sign. See Figure 5. Additionally when connecting your power it doesn't matter which black or white wire connects to your in-coming power wires since there is no polarity. Next attach the green ground wire to the sign frame.

- 5 Finally place the back cover on and reinstall the sign.



Note: Make appropriate wiring connections per local code.

Note: This sign is intended to be installed in accordance with the requirements of Article 600 of the National Electric Code and/or other applicable local codes. This includes proper grounding and bonding of the sign.