

## PRODUCT ID: 67992

### Universal Mount

#### MODEL

UNI-550/750SM

#### DIMENSIONS

2" H x 4" W x 4" D (est. 0.953 lbs)

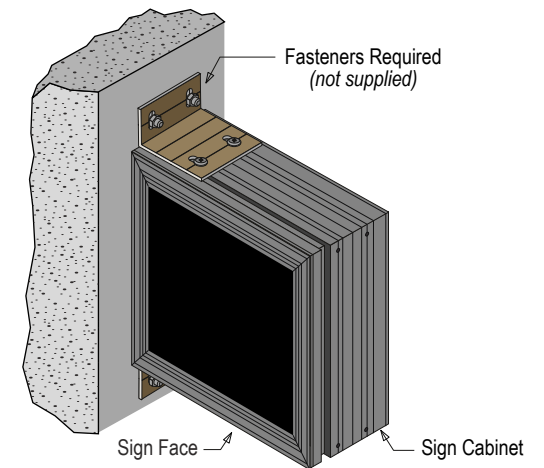
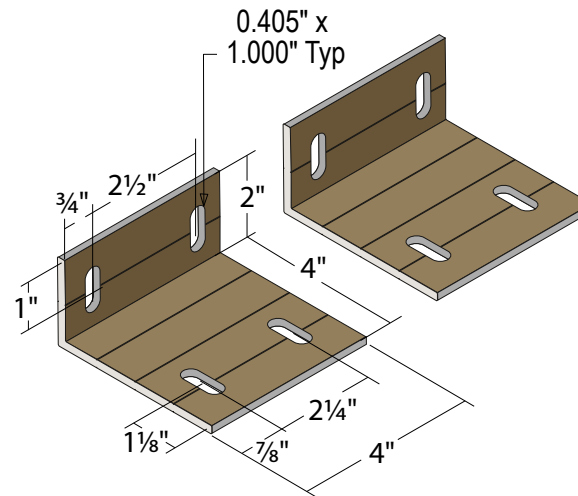
#### CONSTRUCTION

Finish: Duranodic Bronze

Material: 3/16" thick aluminum L-shaped bracket, pre-drilled for attachment.

## Product View

NOTE: Sign image may not exactly represent the finished product. For illustration purposes only.



#### Directional Systems

2201 W 50th St.

Erie, PA 16509

Phone: (877) 827-8296

Fax: (877) 827-8291

Email: sales@directionalsystems.com

Website: [www.directionalsystems.com](http://www.directionalsystems.com)

**Directional**  
Systems