

## PRODUCT ID: 66232

### Angle Mount Bracket

#### MODEL

VAM-5-inch

#### DIMENSIONS

2" H x 4.75" W x 5.625" D (est. 0 lbs)

#### CONSTRUCTION

Finish: Duranodic Bronze

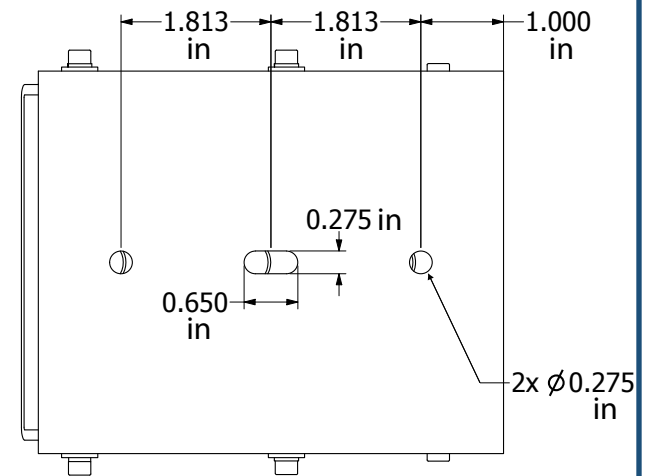
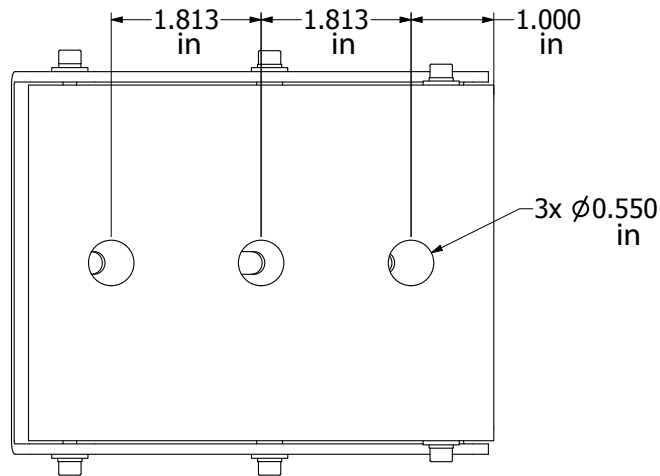
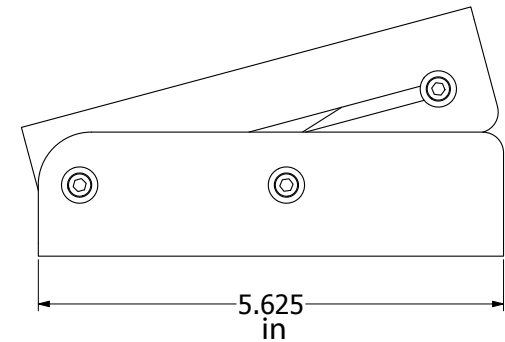
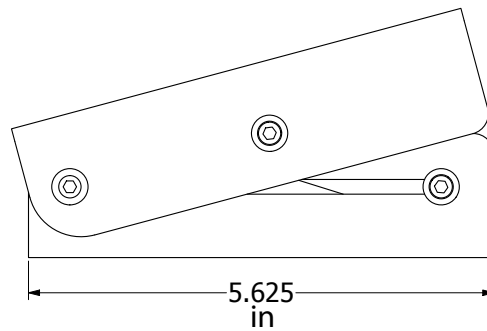
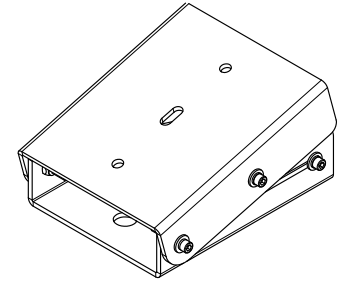
Material: Formed 1/8" Aluminum bracket w/ stainless steel hardware. Adjustable between 15-60°

#### INSTALLATION

Note: Mini Variable Angle Mount, adjustable 15-60°

## Product View

NOTE: Sign image may not exactly represent the finished product. For illustration purposes only.



#### Directional Systems

2201 W 50th St.

Erie, PA 16509

Phone: (877) 827-8296

Fax: (877) 827-8291

Email: [sales@directionalsystems.com](mailto:sales@directionalsystems.com)

Website: [www.directionalsystems.com](http://www.directionalsystems.com)

**Directional**  
Systems