

PRODUCT ID: 52610

Switch

MODEL

SG3 DPDT/12VDC

DIMENSIONS

4.5" H x 2.75" W x 1" D (est. 1.241 lbs)

CONSTRUCTION

Finish: Switch plate brushed stainless steel

Switch: Switch with indicator lights

Switch plate: Stamped stainless steel pre-punched for switch(es) and indicator light(s)

ELECTRICAL

Input Voltage: 12VDC

Directional Systems

2201 W 50th St.

Erie, PA 16509

Phone: (877) 827-8296

Fax: (877) 827-8291

Email: sales@directionalsystems.com

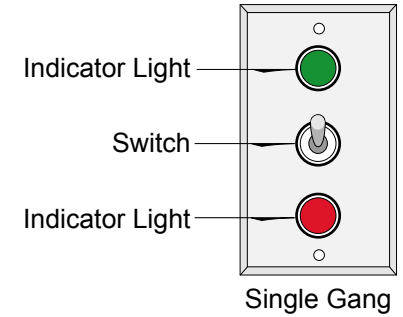
Website: www.directionalsystems.com



Product View

NOTE: Sign image may not exactly represent the finished product. For illustration purposes only.

Front View



Schematic View

