

PRODUCT ID: 32334

Alarm Unit

MODEL

PA-WF-120

DIMENSIONS

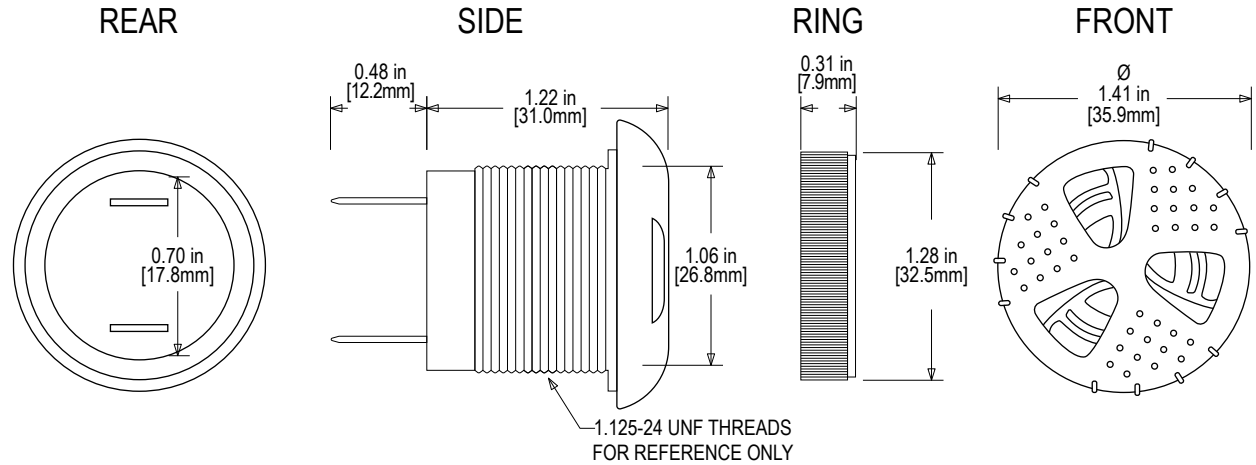
1.41" H x 1.41" W x 1.7" D (est. 0.05 lbs)

ELECTRICAL

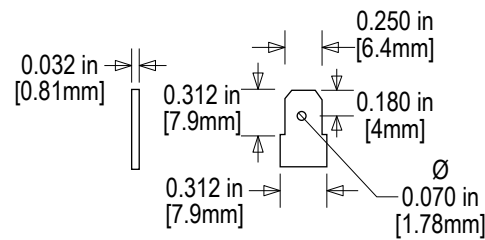
Input Voltage: 120 VAC

Product View

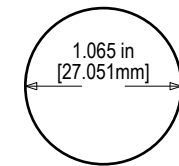
NOTE: Sign image may not exactly represent the finished product. For illustration purposes only.



"Q" TERMINALS



PANEL MOUNTING



FITS PANELS UP TO 0.50in [12.7mm] THICK

TOLERANCES ARE ±0.03in [±0.76mm] UNLESS OTHERWISE SPECIFIED

Directional Systems

2201 W 50th St.

Erie, PA 16509

Phone: (877) 827-8296

Fax: (877) 827-8291

Email: sales@directionalsystems.com

Website: www.directionalsystems.com

