

PRODUCT ID: 18247
Recessed Frame

MODEL
RF1214

DIMENSIONS
15" H x 17" W x 1.75" D (est. 3.283 lbs)

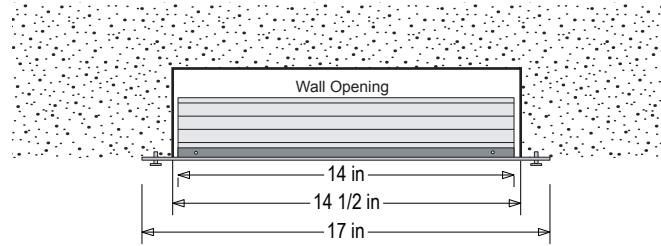
CONSTRUCTION
Finish: Duranodic Bronze
Material: Formed 1/8" CNC routed aluminum. Holes for mounting sign pre-drilled.

INSTALLATION
Note: Wall opening should be 0.5" larger than sign OD

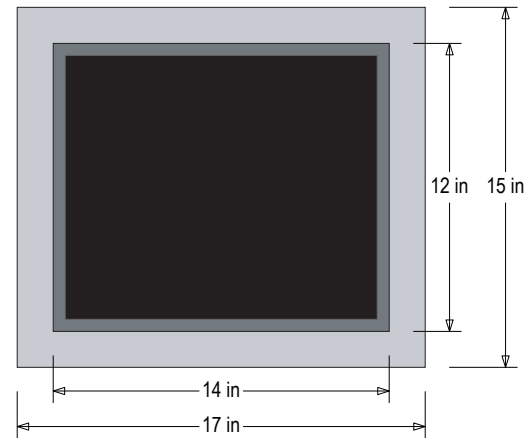
Product View

NOTE: Sign image may not exactly represent the finished product. For illustration purposes only.

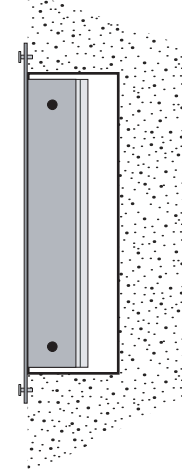
TOP VIEW



FRONT VIEW



SIDE VIEW



Directional Systems
2201 W 50th St.
Erie, PA 16509
Phone: (877) 827-8296
Fax: (877) 827-8291
Email: sales@directionalsystems.com
Website: www.directionalsystems.com

